



JDV  
CONTROL  
VALVES



# JBT-F / JBT-M Type

Trunnion Type **Soft Metal** Seat Ball Valve  
固定轴软密封/金属密封球阀



TAIWAN  
EXCELLENCE  
2016

*We link all you need  
and more than you expect.*



**JDV  
CONTROL  
VALVES**

# JBT-F / JBT-M Type

## Trunnion Type **Soft Metal** Seat Ball Valve 固定轴软密封/金属密封球阀

**Full Bore Three Piece Flanged Ends** 全通径三片式法兰球阀

**ASME CLASS 150/300/600/900/1500/2500**

The JBT-F / JBT-M Type are Trunnion-mounted ball valves designed with vanguard engineering and highly sophisticated technology. Our in-house High Velocity Oxygen Fuel-sprayed hard faces allow them to defy the toughest operating conditions, such as high pressure, abrasive and corrosive mediums, slurries, etc. Successfully used in the Oil & Gas industry, Refineries and Power Plants, these API 6D certificated valves provide an outstanding tightness, stability, safety and reliability that exceed most industry standards.

采用固心式球阀设计，先驱的的工程能力与高明的球体加工技术。厂内独特的高速火焰喷射硬密封喷涂技术，挑战最严苛的工况条件。如高压，高磨损及高腐蚀性介质，泥浆介质等。产品已成功应用在炼油业，石油精炼与发电厂。通过API 6D的认证，提供优异的坚固性，稳定性，安全性与可靠性，超越大多数的工业要求标准。

### Product Features 产品特色

1. True bidirectional design and wide temperature range satisfying all applications.  
双向密封与宽广温度设计，可满足所有应用环境
2. Cavity pressure relief design protecting against any excess of pressure in the body cavity.  
阀腔泄压设计，防止阀体内压力过高
3. Trunnion ball design ensuring a tight contact between seats and balls, and allowing the valves to withstand extremely high pressures.  
固定式球阀设计，确保阀座跟球阀紧密接触，可承受极高的压力
4. Single Piston seat rings that guarantees the self-relief of the body cavity in case of overpressure.  
单活塞密封阀座环确保超压时，阀腔能自动泄压
5. Double piston design in option, securing both upstream and downstream sealings.  
双活塞密封设计(选配)，确保上下游两端的密封效果
6. Optional double block and bleed design ensuring a safe isolation simultaneously on both upstream and downstream seats.  
双向关断与自动泄压设计(选配)，可同步确保上下游两端 都能密封及安全的隔断
7. Splined stem design strengthening the trim to withstand heavy torques under high pressure drops.  
阀杆花齿结合设计，强化轴杆，在高压环境下可承受更大的扭力
8. Emergency sealant injection design on request to restore the seat or packing integrity immediately.  
紧急注料填充密封设计(选配)，可立即填补密封填充材料，维持密封功能
9. Optional drain plug device to empty the cavity or to detect any leakage.  
排放塞口设计(选配)，可清理阀腔及侦测有无泄漏。
10. Body gland providing a trustworthy anti-blowout function and an easy maintenance. 阀杆防飞出设计，安全可靠且容易维护
11. Several alternatives of soft and metal seats to meet any kinds of requirement.  
多种可选择的软/硬密封阀座，可应用在各种条件需求
12. Optional purge device guaranteeing a complete cleaning of the body cavity.  
吹扫装置(选配)，彻底清洁阀腔
13. Fire safe design according to API 607 or API 6FA. 防火设计，符合API 607 或 API 6FA
14. Anti-static device. 防静电设计
15. ISO 5211 Mounting Pad design. 符合ISO 5211规格的安装平台设计

## Applicable Standards 适用标准



API 607/6FA Fire Safe Design



HVOF Thermal Spray

- Body Material(阀体材质): Standard in WCB, CF8, CF8M. Other materials are available according to requirements (可依专案定制需求).
- Nominal Size(尺寸): 2" to 24" (DN50 to DN600)
- Pressure Rating(压力等级): ASME CLASS 150/300/600, 900/1500/2500 on request.
- End Connections(连接型式): 法兰凸缘 RF / RTJ
- Temperature Range(温度范围): Soft seat(软密封): -320~482°F (-196~250°C)  
Metal seat(硬密封): -320~932°F (-196~500°C)  
, higher temperature on request (更高温度可依需求定制).
- Face-to-face Dimensions(面间尺寸): ASME B16.10
- Flanged Dimensions(法兰尺寸): ASME B16.5
- Body Pressure Test(本体压力测试): ASME B16.34/API 598/API 6D
- Seat Leakage Test(球垫泄漏测试): Soft seat(软密封): ASME B16.34/API 598/API 6D  
Metal seat(硬密封): ANSI/FCI70-2 Class V in standard, Class VI in option.
- Casting(铸造标准): MSS-SP-25 / MSS-SP-55
- Fire Safe Design(防火设计): Certificated according to API 607 / API 6FA 认证

## Industrial Fields:

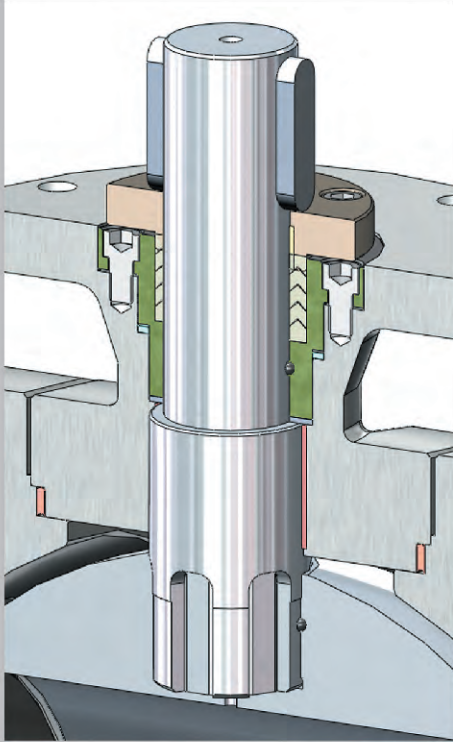
- Oil & Gas 石油和天然气
- Refinery / Petrochemical 石油精炼/石化业
- Chemical 化工业
- Pulp & Paper 造纸业
- Power Plant 发电厂
- Steel Mill 炼钢厂
- Food 食品业
- Mining 采矿业





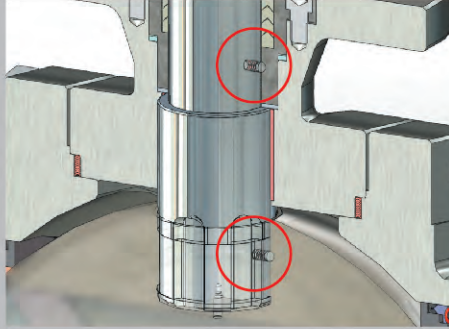
## Standard Design 标准设计

**Anti-blowout Design 防飞出装置**

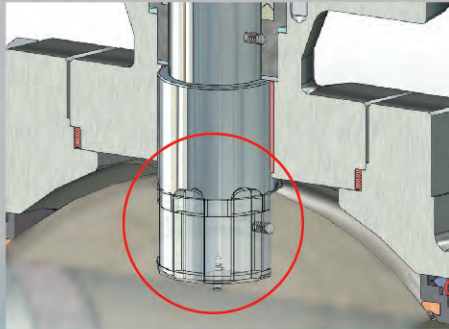


Body Gland prevents the stem from blowing out, and also provides an easy maintenance to the stem packing if necessary.

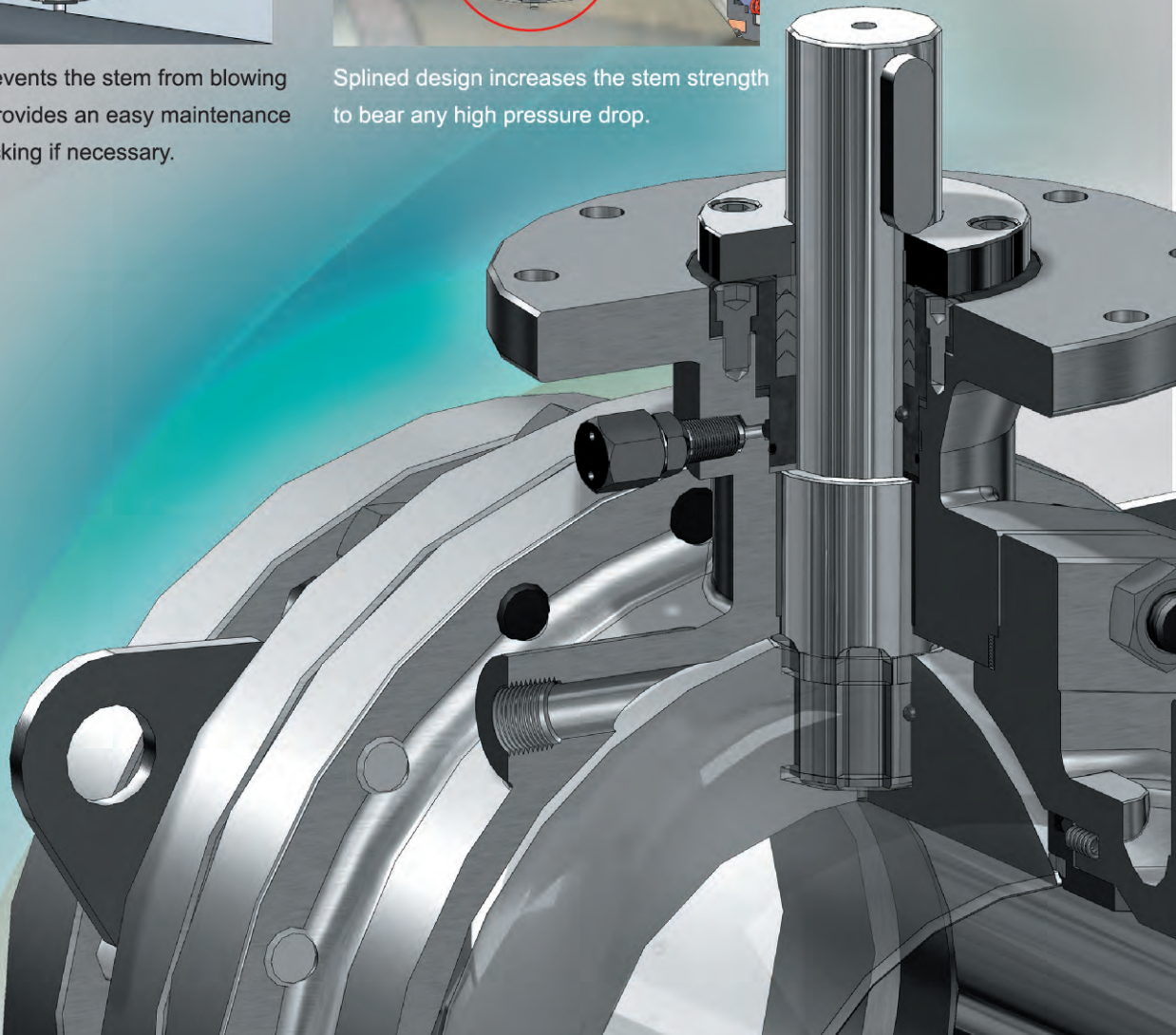
**Antistatic Design 防静电装置**



**Splined Stem Design 抗剪应力花键杆设计**



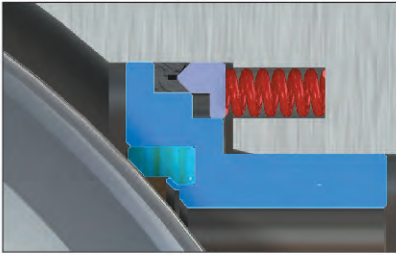
Splined design increases the stem strength to bear any high pressure drop.



## Standard Design 标准设计

Optional Seats: 选配阀座

### Soft Seat Design 软密封阀座设计

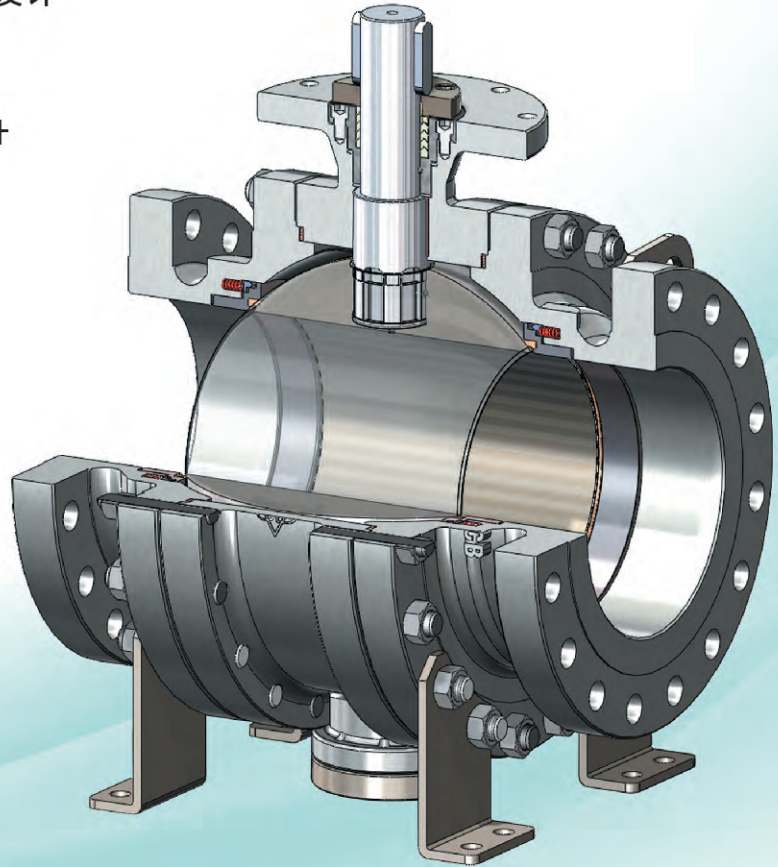


- Bidirectional design.  
双向设计
- Alternative materials available.  
提供其他材料选用

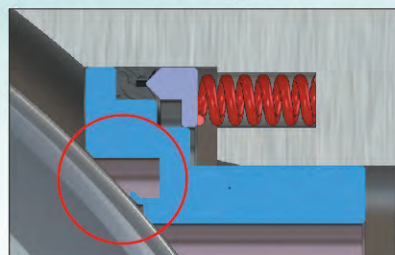
### Metal Seat Design 金属阀座设计



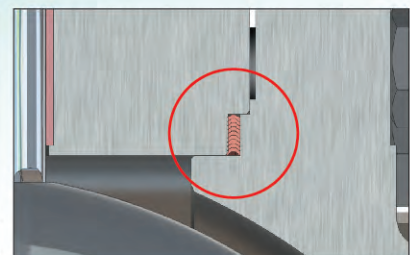
- Bidirectional design.  
双向设计
- Various hard faces in option.  
提供各种金属处理选择



### Fire Safe Design 防火安全设计

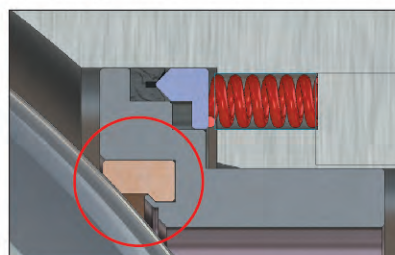


Metal-to-Metal contact after the soft seat is burned.  
软性密封元件遭到烧毁，  
则金属密封元件可发挥效用

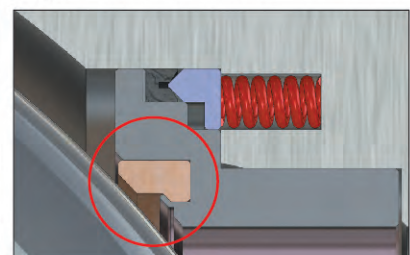


Graphite Body Gasket  
石墨垫片

### Cavity Pressure Relief Design 阀腔自动泄压



Before pressure relief 泄压前

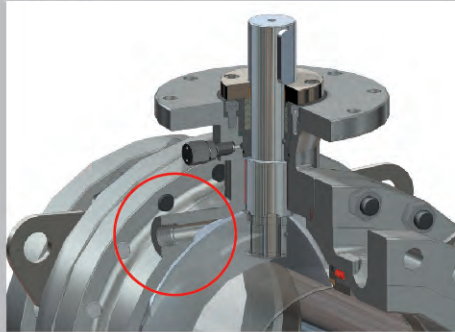


After pressure relief 泄压后



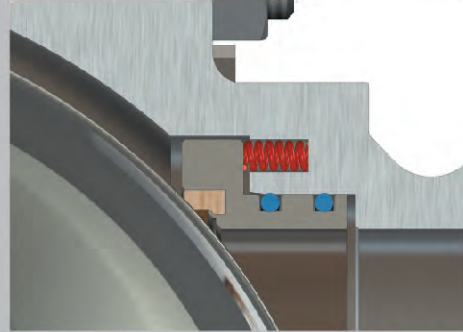
## Optional Designs 选配设计

### Purge Design 吹扫设计



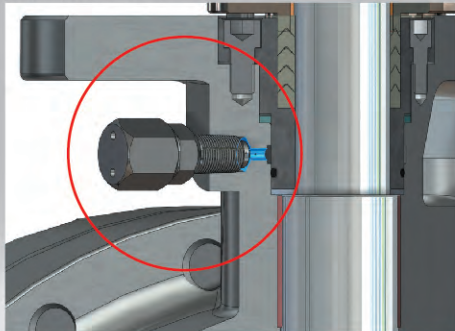
Purge design makes it easy to clean the body cavity.  
吹扫设计使其易于清洁阀腔。

### Double Piston Effect Seat Ring 双活塞效应阀座环



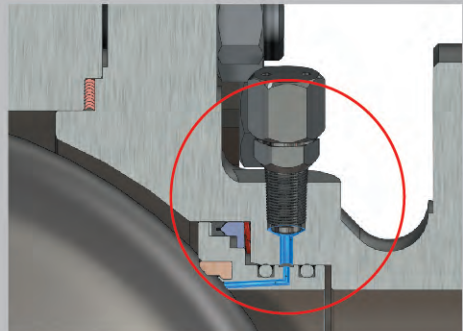
Double Piston Effect Seat Rings ensure the sealing upstream and downstream when the cavity is overpressured.  
This is available for working temperature  $-4\sim 392^{\circ}\text{F}$  ( $-20\sim 200^{\circ}\text{C}$ )  
当腔体压力过高时双活塞效应密封圈确保上游端和下游端的密封。  
该温度或温度可用  $-4\sim 392^{\circ}\text{F}$  ( $-20\sim 200^{\circ}\text{C}$ )

### Emergency Sealant Injection 紧急注胶设计



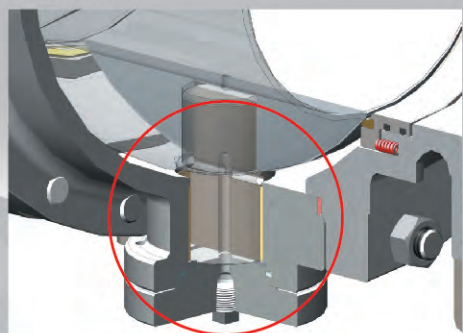
#### Injection to the Packing 注胶到垫片

Emergency sealant can be injected to restore the packing and seats. 注入紧急密封胶至垫片和阀座，以防止泄漏。  
This is available for working temperature  $-4\sim 392^{\circ}\text{F}$  ( $-20\sim 200^{\circ}\text{C}$ ) 可用于工作摄氏温度  $(-20\sim 200^{\circ}\text{C})$



#### Injection to the seats 注入阀座

### Drain Plug Design 排污塞设计



Drain plug design allows to vent or detect the leakage.

排污塞设计允许排出或检测泄漏。

## OUR IN-HOUSE H.V.O.F. COATINGS

Most severe applications are accompanied by high temperature, high abrasion, or high pressure using conditions. In order to make valves withstand these tough services, the balls and seats may need to be strengthened by another material. For this purpose, we built our own HVOF (High Velocity Oxygen Fuel) coating facility, to control the core of technology in the metal seat ball valve. The lower thermal energy preventing the metal deformation, and the higher kinetic energy increasing the strength and adhesion of the bond, offer unique advantages over other hard face methods.

最严苛的应用伴随着耐高温、耐磨耗、高使用条件的压力。为了使阀门承受这些艰巨的功能。球阀和阀座需要用其他材料加强。因此JDV建立了HVOF（高速火焰熔射）涂层设备。巩固核心金属球阀技术的发展。较低的热能可防止金属变形。较高的动能会增加粘合性能和涂层性能，与其他表面硬化处理相比，具有独特的优势。

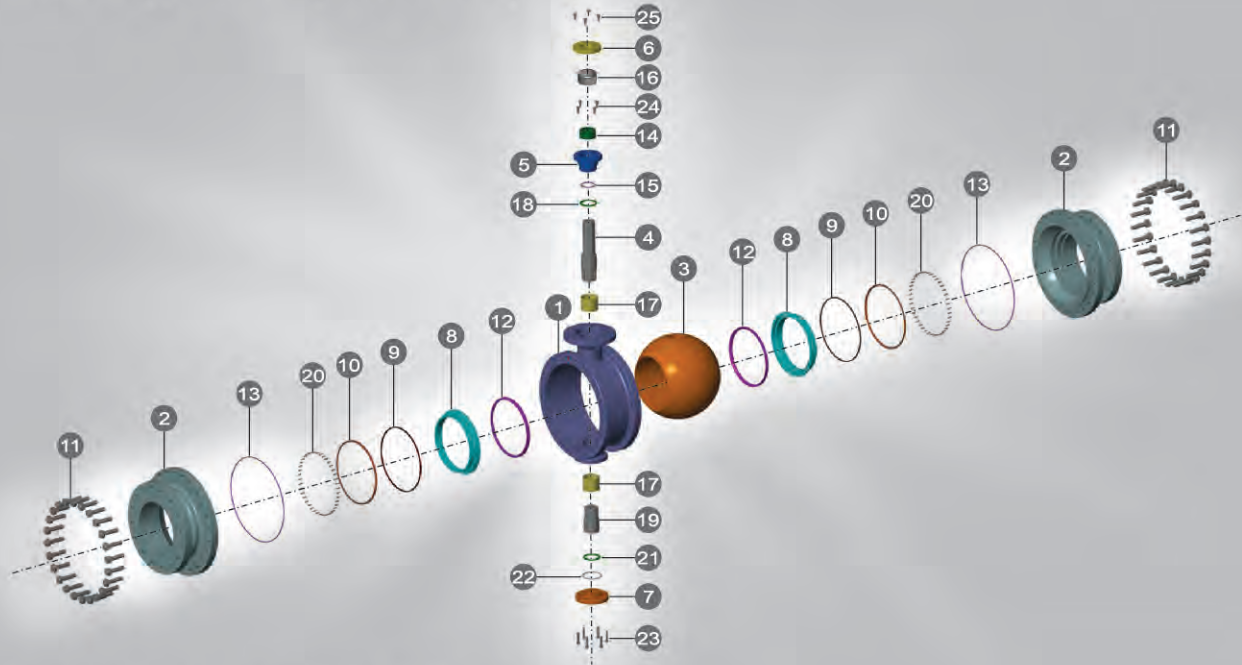


### JDV Standard Coatings JDV标准涂料

Series	Ball Coating	Seat Coating	Max. Temperature	Hardness	Applications 应用领域
SH1	Tungsten Carbide	Tungsten Carbide	842 °F 450 °C	HCR70	Excellent for high temperature, high wearing, and corrosion resistance. 适用于耐高温、耐磨损和抗腐蚀性能。
SH2	Chrome Carbide	Chrome Carbide	932 °F 500 °C	HCR60	Excellent for high temperature cavitation, abrasion and sliding wear. Good for hot gas and corrosion resistance. 对耐高温、耐腐蚀、耐磨损具有优异的性能 对高温气体和耐腐蚀性具有良好的性能。



**JBT-F Type 2"~14" (DN50~DN350)**

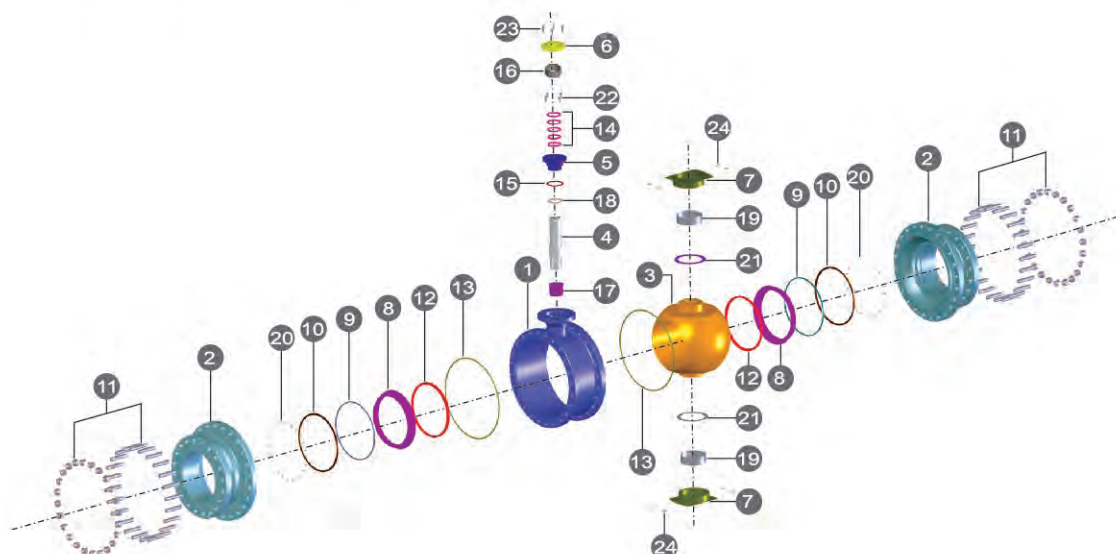


**STANDARD MATERIALS 材质表**

NO	PART NAME	MATERIAL		
1	BODY 阀体	A216-WCB	A351-CF8	A351-CF8M
2	CAP 阀盖	A216-WCB	A351-CF8	A351-CF8M
3	BALL 阀球	A351-CF8	A351-CF8	A351-CF8M
4	STEM 阀杆	A276-304	A276-304	A276-316
5	BODY GLAND 中轴压板	A216-WCB	A351-CF8	A351-CF8M
6	GLAND 中口牛楠	A216-WCB	A351-CF8	A351-CF8M
7	BEARING RETAINER 底部封盖	A216-WCB	A351-CF8	A351-CF8M
8	SEAT RING 阀座环	A351-CF8	A351-CF8	A351-CF8M
9	SEAT RING SEAL 止泄压环迫紧	GRAPHITE	GRAPHITE	GRAPHITE
10	SEAT RING RETAINER 止泄压环	A351-CF8	A351-CF8	A351-CF8M
11	BOLT & NUT 螺栓&螺母	A193-B7 & A194-7	A193-B8 & A194-8	A193-B8 & A194-8
12	SEAT 阀座	G-PTFE/TFM-1600	G-PTFE/TFM-1600	G-PTFE/TFM-1600
13	BODY GASKET 阀座密封垫	316SS+GRAPHITE	316SS+GRAPHITE	316SS+GRAPHITE
14	GLAND PACKING 压盖填料	GRAPHITE	GRAPHITE	GRAPHITE
15	GLAND THRUST WASHER 牛楠小薄片	GRAPHITE	GRAPHITE	GRAPHITE
16	GLAND BEARING 牛楠衬套	G-PTFE	G-PTFE	G-PTFE
17	STEM BEARING 轴衬套	METAL+HARD FACE	METAL+HARD FACE	METAL+HARD FACE
18	STEM THRUST WASHER 中轴垫片	G-PTFE	G-PTFE	G-PTFE
19	TRUNNION STEM 支撑轴	A276-304	A276-304	A276-316
20	SPRING 弹簧	INCONEL® X-750	INCONEL® X-750	INCONEL® X-750
21	TRUNNION STEM WASHER 支撑轴垫片	G-PTFE	G-PTFE	G-PTFE
22	TRUNNION STEM GASKET 小薄片	GRAPHITE	GRAPHITE	GRAPHITE
23	RETAINER BOLT 底部封盖螺丝	STAINLESS STEEL	STAINLESS STEEL	STAINLESS STEEL
24	BODY GLAND BOLT 中轴压板螺丝	STAINLESS STEEL	STAINLESS STEEL	STAINLESS STEEL
25	GLAND BOLT 牛楠螺丝	STAINLESS STEEL	STAINLESS STEEL	STAINLESS STEEL



## JBT-F Type 16"~24"(DN400~DN600)



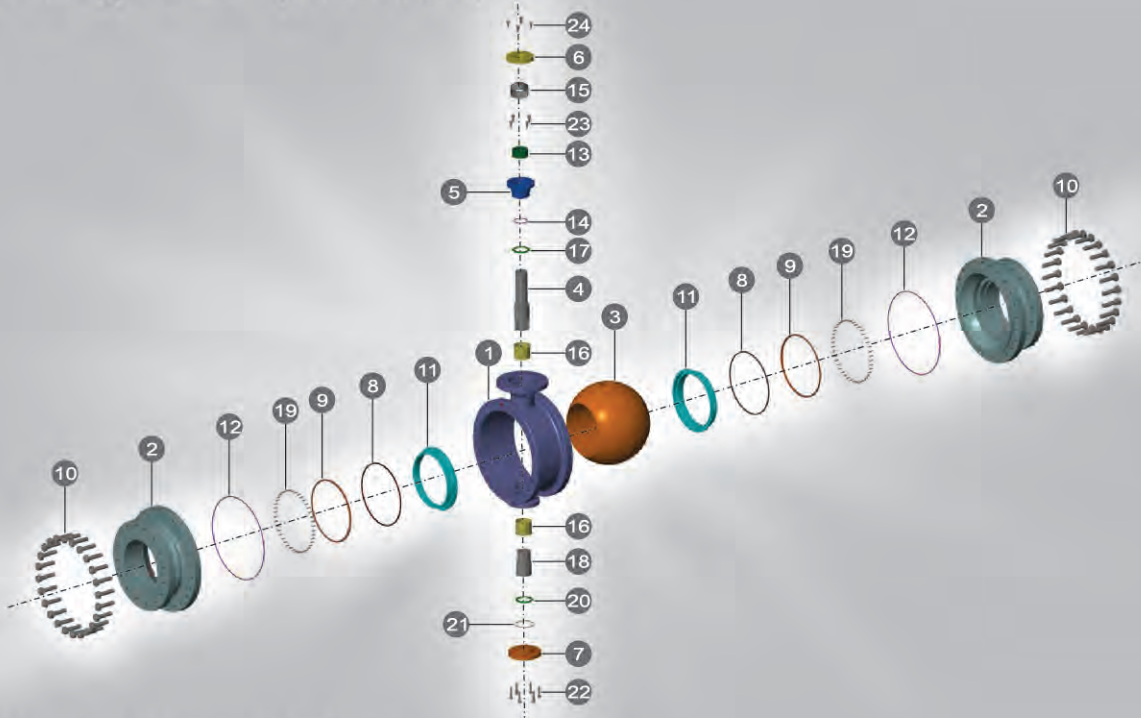
### STANDARD MATERIALS 材质表

NO	PART NAME	MATERIAL		
1	BODY 阀体	A216-WCB	A351-CF8	A351-CF8M
2	CAP 阀盖	A216-WCB	A351-CF8	A351-CF8M
3	BALL 阀球	A351-CF8	A351-CF8	A351-CF8M
4	STEM 阀杆	A276-304	A276-304	A276-316
5	BODY GLAND 中轴压板	A216-WCB	A351-CF8	A351-CF8M
6	GLAND 中口牛桶	A216-WCB	A351-CF8	A351-CF8M
7	TRUNNION 球轴固定件	A216-WCB	A351-CF8	A351-CF8M
8	SEAT RING 阀座环	A351-CF8	A351-CF8	A351-CF8M
9	SEAT RING SEAL 止泄压环垫紧	GRAPHITE	GRAPHITE	GRAPHITE
10	SEAT RING RETAINER 止泄压环	A351-CF8	A351-CF8	A351-CF8M
11	BOLT & NUT 螺栓&螺母	A193-B7 & A194-7	A193-B8 & A194-8	A193-B8 & A194-8
12	SEAT 阀座	G-PTFE/TFM-1600	G-PTFE/TFM-1600	G-PTFE/TFM-1600
13	BODY GASKET 阀体密封垫	316SS+GRAPHITE	316SS+GRAPHITE	316SS+GRAPHITE
14	GLAND PACKING 压盖填料	GRAPHITE	GRAPHITE	GRAPHITE
15	GLAND THRUST WASHER 牛桶小薄片	GRAPHITE	GRAPHITE	GRAPHITE
16	GLAND BEARING 牛桶衬套	G-PTFE	G-PTFE	G-PTFE
17	STEM BEARING 轴衬套	METAL+HARD FACE	METAL+HARD FACE	METAL+HARD FACE
18	STEM THRUST WASHER 中轴垫片	METAL+HARD FACE	METAL+HARD FACE	METAL+HARD FACE
19	TRUNNION BEARING 球轴衬套	METAL+HARD FACE	METAL+HARD FACE	METAL+HARD FACE
20	SPRING 弹簧	INCONEL® X-750	INCONEL® X-750	INCONEL® X-750
21	WASHER 垫圈	METAL+HARD FACE	METAL+HARD FACE	METAL+HARD FACE
22	BODY GLAND BOLT 中轴压板螺丝	STAINLESS STEEL	STAINLESS STEEL	STAINLESS STEEL
23	GLAND BOLT 牛桶螺丝	STAINLESS STEEL	STAINLESS STEEL	STAINLESS STEEL
24	PIN 插销	STAINLESS STEEL	STAINLESS STEEL	STAINLESS STEEL

The above materials may be changed with different using conditions.  
以上阀门部件的材质为标准配置,可根据客户需求和工况选择其他材质



## JBT-M Type 2"~14" (DN50~DN350)



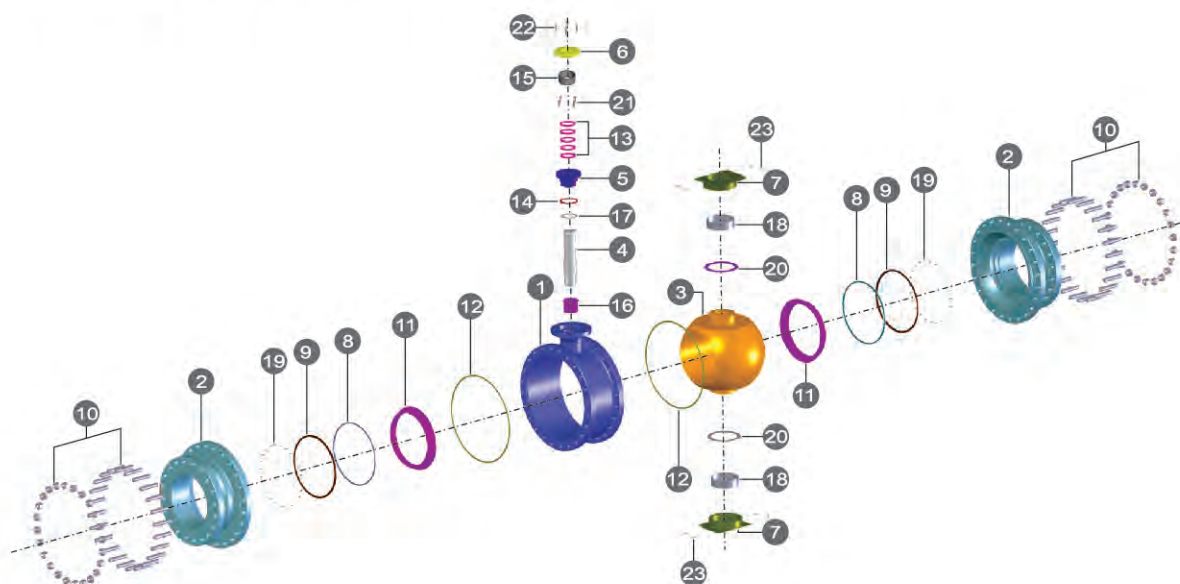
### STANDARD MATERIALS 材质表

NO	PART NAME	MATERIAL		
1	BODY 阀体	A216-WCB	A351-CF8	A351-CF8M
2	CAP 阀盖	A216-WCB	A351-CF8	A351-CF8M
3	BALL 阀球	A351-CF8+HCR <sup>(1)</sup> /TC <sup>(1)</sup> /CRC <sup>(1)</sup>	A351-CF8+HCR/TC/CRC	A351-CF8M+HCR/TC/CRC
4	STEM 阀杆	A564-630 (Hh1150)	A560-630 (HH1150)	A638-S66286
5	BODY GLAND 中轴压板	A216-WCB	A351-CF8	A351-CF8M
6	GLAND 中口牛楠	A216-WCB	A351-CF8	A351-CF8M
7	BEARING RETAINER 底部封盖	A216-WCB	A351-CF8	A351-CF8M
8	SEAT RING SEAL 止泄压环迫紧	GRAPHITE	GRAPHITE	GRAPHITE
9	SEAT RING RETAINER 止泄压环	A351-CF8	A351-CF8	A351-CF8M
10	BOLT & NUT 螺栓&螺帽	A193-B7 & A194-7	A193-B8 & A194-8	A193-B8 & A194-8
11	SEAT 阀座	A351-CF8+STELLITE®/TC/CRC	A351-CF8+STELLITE®/TC/CRC	A351-CF8M+STELLITE®/TC/CRC
12	BODY GASKET 阀座密封垫	316SS+GRAPHITE	316SS+GRAPHITE	316SS+GRAPHITE
13	GLAND PACKING 压盖填料	GRAPHITE	GRAPHITE	GRAPHITE
14	GLAND THRUST WASHER 牛楠小薄片	GRAPHITE	GRAPHITE	GRAPHITE
15	GLAND BEARING 牛楠衬套	METAL+HARD FACE	METAL+HARD FACE	METAL+HARD FACE
16	STEM BEARING 轴衬套	METAL+HARD FACE	METAL+HARD FACE	METAL+HARD FACE
17	STEM THRUST WASHER 中轴垫片	METAL+HARD FACE	METAL+HARD FACE	METAL+HARD FACE
18	TRUNNION BEARING 轴衬套	A564-630 (HH1150)	A564-630 (HH1150)	A638-S66286
19	SPRING 弹簧	INCONEL® X-750	INCONEL® X-750	INCONEL® X-750
20	TRUNNION STEM WASHER 支撑轴垫片	METAL+HARD FACE	METAL+HARD FACE	METAL+HARD FACE
21	TRUNNION STEM GASKET 小薄片	GRAPHITE	GRAPHITE	GRAPHITE
22	RETAINER BOLT 衬套螺丝	STAINLESS STEEL	STAINLESS STEEL	STAINLESS STEEL
23	BODY GLAND BOLT 中轴压板螺丝	STAINLESS STEEL	STAINLESS STEEL	STAINLESS STEEL
24	GLAND BOLT 牛楠螺丝	STAINLESS STEEL	STAINLESS STEEL	STAINLESS STEEL

Notes:

(1) HCr = Hard Chrome    TC = Tungsten Carbide    CRC = Chrome Carbide  
 镀硬铬                      碳化钨                      碳化铬

## JBT-M Type 16"~24"(DN400~DN600)



### STANDARD MATERIALS 材质表

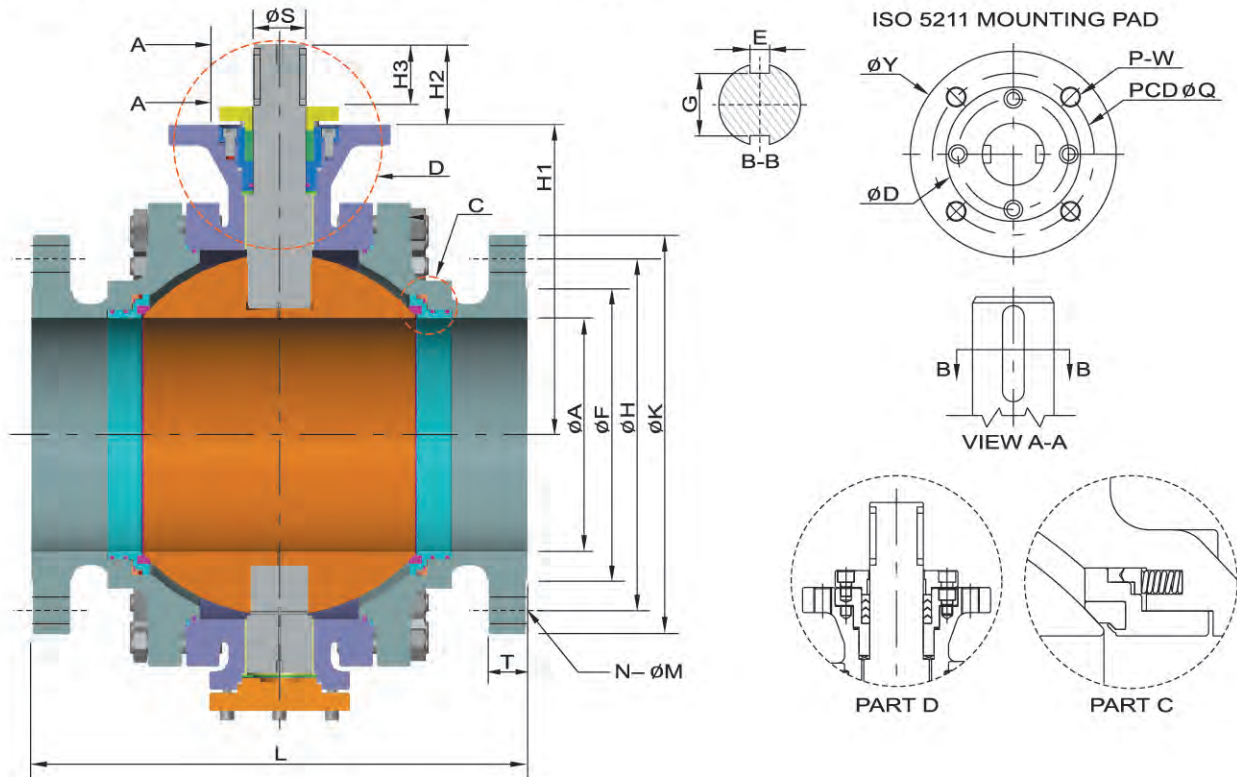
NO	PART NAME	MATERIAL		
1	BODY 阀体	A216-WCB	A351-CF8	A351-CF8M
2	CAP 阀盖	A216-WCB	A351-CF8	A351-CF8M
3	BALL 阀球	A351-CF8+HCR/TC/CRC	A351-CF8+HCR/TC/CRC	A351-CF8M+HCR/TC/CRC
4	STEM 阀杆	A564-630 (HH1150)	A564-630 (HH1150)	A638-S66286
5	BODY GLAND 中轴压板	A216-WCB	A351-CF8	A351-CF8M
6	GLAND 中口牛桶	A216-WCB	A351-CF8	A351-CF8M
7	TRUNNION 球轴固定件	A216-WCB	A351-CF8	A351-CF8M
8	SEAT RING SEAL 止泄压环迫紧	GRAPHITE	GRAPHITE	GRAPHITE
9	SEAT RING RETAINER 止泄压环	A351-CF8	A351-CF8	A351-CF8M
10	BOLT & NUT 螺栓&螺帽	A193-B7 & A194-7	A193-B8 & A194-8	A193-B8 & A194-8
11	SEAT 阀座	A351-CF8+STELLITE® /TC/CRC	A351-CF8+STELLITE® /TC/CRC	A351-CF8M+STELLITE® /TC/CRC
12	BODY GASKET 阀体密封垫	316SS+GRAPHITE	316SS+GRAPHITE	316SS+GRAPHITE
13	GLAND PACKING 压盖填料	GRAPHITE	GRAPHITE	GRAPHITE
14	GLAND THRUST WASHER 小薄片	GRAPHITE	GRAPHITE	GRAPHITE
15	GLAND BEARING 牛桶衬套	METAL+HARD FACE	METAL+HARD FACE	METAL+HARD FACE
16	STEM BEARING 轴衬套	METAL+HARD FACE	METAL+HARD FACE	METAL+HARD FACE
17	STEM THRUST WASHER 中轴垫片	METAL+HARD FACE	METAL+HARD FACE	METAL+HARD FACE
18	TRUNNION BEARING 球轴衬套	METAL+HARD FACE	METAL+HARD FACE	METAL+HARD FACE
19	SPRING 弹簧	INCONEL® X-750	INCONEL® X-750	INCONEL® X-750
20	WASHER 垫片	METAL+HARD FACE	METAL+HARD FACE	METAL+HARD FACE
21	BODY GLAND BOLT 中轴压板螺丝	STAINLESS STEEL	STAINLESS STEEL	STAINLESS STEEL
22	GLAND BOLT 牛桶螺丝	STAINLESS STEEL	STAINLESS STEEL	STAINLESS STEEL
23	PIN 插销	STAINLESS STEEL	STAINLESS STEEL	STAINLESS STEEL

The above materials may be changed with different using conditions.

以上阀门部件的材质为标准配置,可根据客户需求和工况选择其他材质



**JBT-F / JBT-M Type 2"~14" (DN50~DN350)**



**DIMENSIONS (ASME CLASS 150)**

(mm)

SIZE	A	F	H	K	M	N	L	T	H1	H2	H3	S	E	G	Q	W	P	Y	D	Wt (Kg)
50 2"	50	92	120.5	152	19	4	178	15.9	116.5	60	40	27	8	17	102	M10	4	130	73	17.3
80 3"	76	127	152.5	190	19	4	203	19.1	155.5	61	40	36.3	10	26.3	102	M10	4	130	85	31
100 4"	100	157	190.5	229	19	8	229	23.9	181	84	60	40	10	30	125	M12	4	153	100	50.7
150 6"	150	216	241.5	279	22	8	394	25.4	235	91	70	48	14	37	165	M20	4	210	125	119
200 8"	201	270	298.5	343	22	8	457	28.6	300	100	75	60	18	46	165	M20	4	210	128	210
250 10"	252	324	362	406	25	12	533	30.2	340	100	75	60	18	46	165	M20	4	210	128	318
300 12"	303	381	432	483	25	12	610	31.8	405	120	95	70	20	54	254	M16	8	290	156	490
350 14"	334	413	476.5	533	29	12	686	35.0	438.5	146	110	75	20	59	254	M16	8	290	170	630

**DIMENSIONS (ASME CLASS 300)**

(mm)

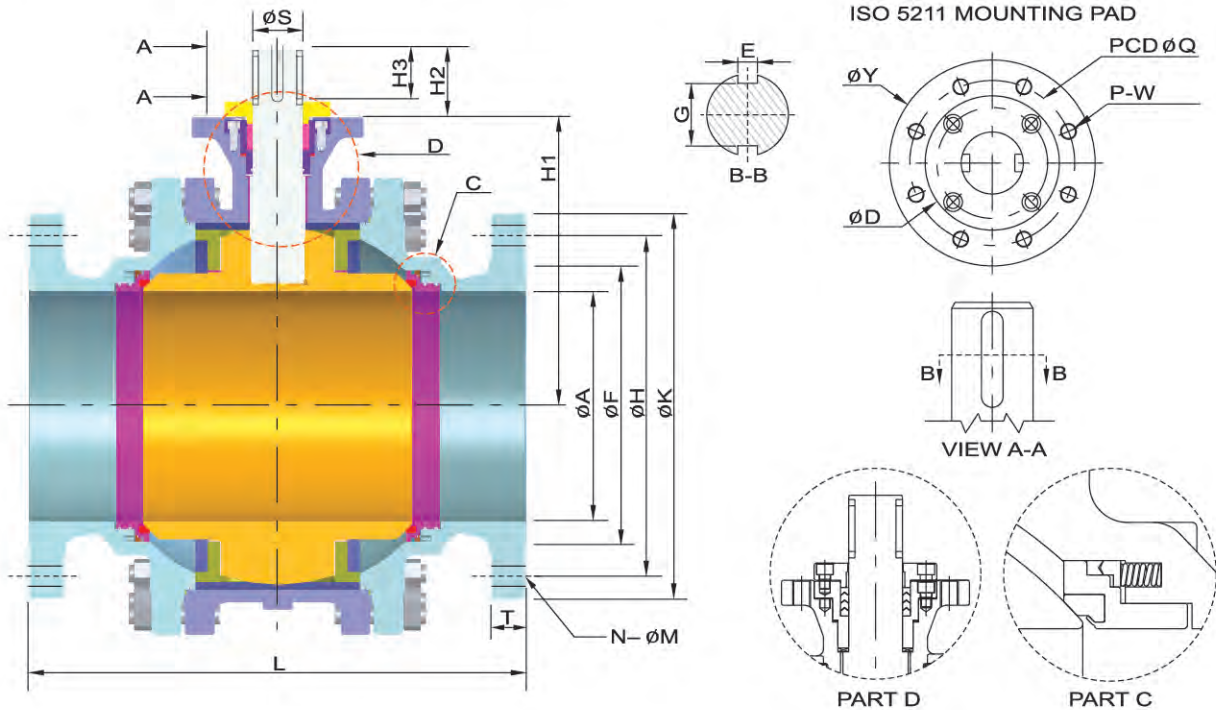
SIZE	A	F	H	K	M	N	L	T	H1	H2	H3	S	E	G	Q	W	P	Y	D	Wt (Kg)
50 2"	50	92	127	165	19	8	216	22.3	116.5	60	40	27	8	17	102	M10	4	130	73	21.5
80 3"	76	127	168	210	22	8	282	28.6	155.5	61	40	36.3	10	26.3	102	M10	4	130	85	47
100 4"	100	157	200	254	22	8	305	31.8	181	84	60	40	10	30	125	M12	4	153	100	74.8
150 6"	150	216	270	318	22	12	403	36.6	235	91	70	48	14	37	165	M20	4	210	125	150
200 8"	201	270	330	381	25	12	502	41.3	300	100	75	60	18	46	165	M20	4	210	128	268.5
250 10"	252	324	387.5	444	29	16	568	47.7	340	100	75	60	18	46	254	M16	8	290	128	432
300 12"	303	381	451	521	32	16	648	50.8	405	120	95	70	20	54	254	M16	8	290	156	657
350 14"	334	413	514.5	584	32	20	762	54.0	438.5	146	110	75	20	59	254	M16	8	290	170	855

**DIMENSIONS (ASME CLASS 600)**

(mm)

SIZE	A	F	H	K	M	N	L	T	H1	H2	H3	S	E	G	Q	W	P	Y	D	Wt (Kg)
50 2"	50	92	127	165	19	8	292	31.8	116.5	60	40	27	8	17	102	M10	4	130	73	28.3
80 3"	76	127	168	210	22	8	356	38.2	155.5	61	40	36.3	10	26.3	102	M10	4	130	85	61.7
100 4"	100	157	216	273	25	8	432	44.5	181	84	60	40	10	30	125	M12	4	153	100	108.7
150 6"	150	216	292	356	29	12	559	54.1	235	91	70	48	14	37	165	M20	4	210	125	219
200 8"	201	270	349	419	32	12	660	62	300	100	75	60	18	46	165	M20	4	210	128	437
250 10"	252	324	432	508	35	16	787	69.9	340	100	75	60	18	46	254	M16	8	290	128	645
300 12"	303	381	489	559	35	20	838	73.1	405	120	95	70	20	54	254	M16	8	290	156	870
350 14"	334	413	527	603	38	20	889	76.2	438.5	146	110	75	20	59	254	M16	8	290	170	1145

**JBT-F / JBT-M Type 16"~24" (DN400~DN600)**



**DIMENSIONS (ASME CLASS 150)**

(mm)

SIZE	A	F	H	K	M	N	L	T	H1	H2	H3	S	E	G	Q	W	P	Y	D	Wt (Kg)
400 16"	387	470	539.8	597	29	16	762	36.6	487	145	108	85	24	65.6	254	M16	8	209	179	885
450 18"	438	533	578	635	32	16	864	39.7	531	170	135	100	28	80	254	M16	8	209	200	1158
500 20"	489	584	635	698	32	20	914	42.7	562	180	145	110	32	84	356	M30	8	415	210	1450
600 24"	589	692	749.5	813	35	20	1067	47.6	650	200	160	120	32	109	356	M30	8	415	230	2030

**DIMENSIONS (ASME CLASS 300)**

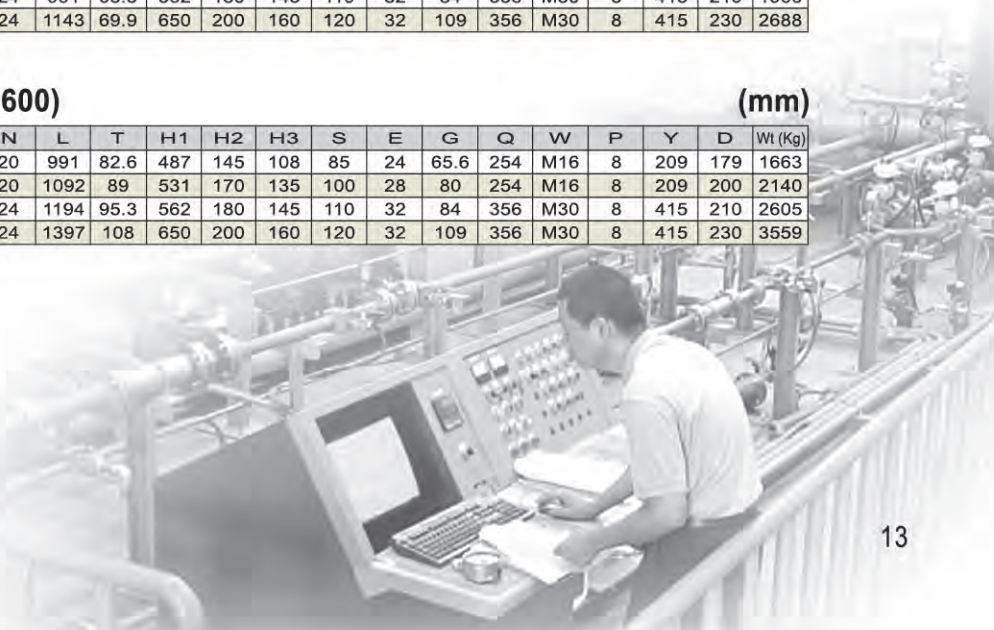
(mm)

SIZE	A	F	H	K	M	N	L	T	H1	H2	H3	S	E	G	Q	W	P	Y	D	Wt (Kg)
400 16"	387	470	571.5	648	35	20	838	57.2	487	145	108	85	24	65.6	254	M16	8	209	179	1200
450 18"	438	533	628.7	711	35	24	914	60.3	531	170	135	100	28	80	254	M16	8	209	200	1574
500 20"	489	584	686	775	35	24	991	63.5	562	180	145	110	32	84	356	M30	8	415	210	1966
600 24"	589	692	813	914	41	24	1143	69.9	650	200	160	120	32	109	356	M30	8	415	230	2688

**DIMENSIONS (ASME CLASS 600)**

(mm)

SIZE	A	F	H	K	M	N	L	T	H1	H2	H3	S	E	G	Q	W	P	Y	D	Wt (Kg)
400 16"	387	470	603	686	41	20	991	82.6	487	145	108	85	24	65.6	254	M16	8	209	179	1663
450 18"	438	533	654	743	45	20	1092	89	531	170	135	100	28	80	254	M16	8	209	200	2140
500 20"	489	584	724	813	45	24	1194	95.3	562	180	145	110	32	84	356	M30	8	415	210	2605
600 24"	589	692	838	940	51	24	1397	108	650	200	160	120	32	109	356	M30	8	415	230	3559





# JDV CONTROL VALVES



API 6D



ISO 9001



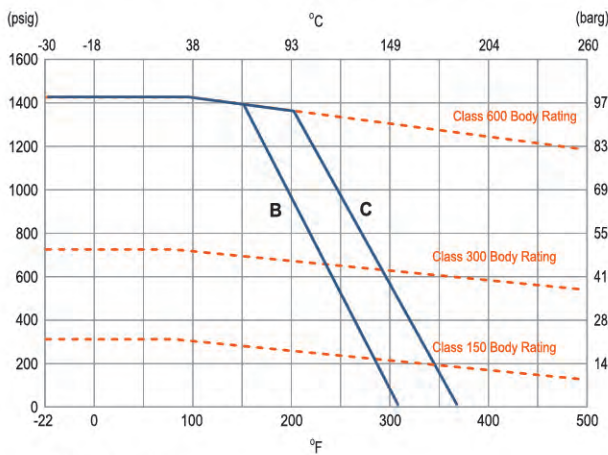
CE

## Cv VALUES CV值

Size	2"	3"	4"	6"	8"	10"	12"	14"	16"	18"	20"	24"
Cv	501	1158	2118	5074	9337	14590	21802	29675	38760	51058	63035	90770

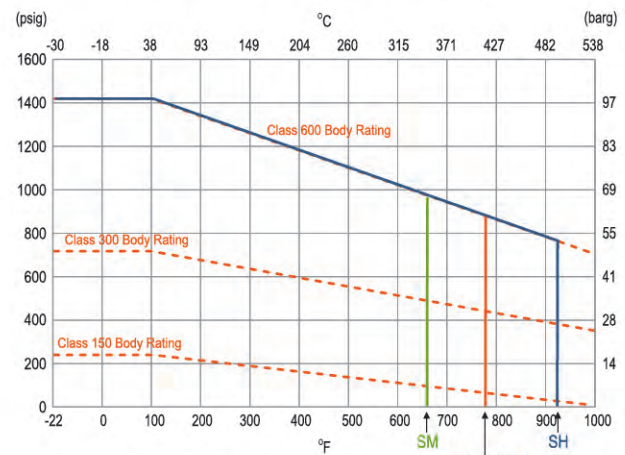
## TEMPERATURE & PRESSURE DIAGRAM 温度&压力曲线

JBT-F 2"~24" (DN50~DN600)



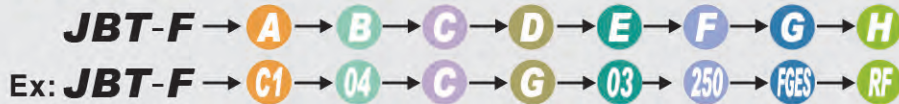
B= Glass Fiber PTFE  
C= Carbon Fiber PTFE

JBT-M 2"~24" (DN50~DN600)



SM= Max Temperature 661°F (350°C)  
SH= Max Temperature 932°F (500°C)  
Carbon Steel Max Temperature 797°F (425°C)

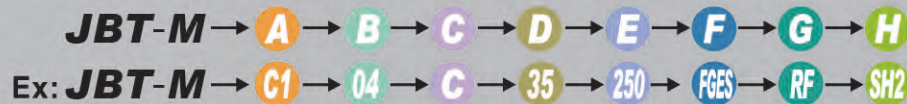
## HOW TO ORDER 如何订购



A. SPECIFICATION	B. BODY MAT'L	C. BALL	D. SEAT MAT'L	E. STEM MAT'L
C1 ASME CLASS 150	02 WCB (1.0619)	A CF8	G G-PTFE (15% GLASS FIBER+PTFE)	02 304
C2 ASME CLASS 300	03 CF8 (1.4308)	C CF8M	C C-PTFE (15% CARBON+PTFE)	03 316
C3 ASME CLASS 600	04 CF8M (1.4408)	D CF3	S S-PTFE (50% 316+PTFE)	05 317
C4 ASME CLASS 900	05 CF3 (1.4306)	E CF3M	T TFM-1600®	08 316L
C5 ASME CLASS 1500	06 CF3M (1.4404)	F CG8M	E PEEK	10 S31803
C6 ASME CLASS 2500	07 CG8M (1.4412)	I CD3MN		
	11 LCB (1.1138)			
	12 LCC (1.7219)			
	15 CD3MN (1.4470)			

F. SIZE	G. OPTION	H. END CONNECTION
050 2"	F FIRE SAFE	RF RF FLANGED
080 3"	L EXTENDED STEM	RT RTJ FLANGED
100 4"	I LIVE LOADING	
150 6"	H LEVER	
200 8"	G GEAR	
250 10"	A BARE SHAFT	
300 12"	N NACE	
350 14"	ES EMERGENCY GREASE SEALS	
400 16"	DB DOUBLE BLOCK & BLEED	
450 18"	DP DOUBLE PISTON	
500 20"	DR DRAIN	
600 24"	PG PURGE	
	CY CRYOGENIC DESIGN -40~-320 °F (-40~-196 °C)	



A. SPECIFICATION	B. BODY MAT'L	C. BALL & SEAT MAT'L	D. STEM MAT'L
C1 ASME CLASS 150	02 WCB (1.0619)	A CF8	02 304
C2 ASME CLASS 300	03 CF8 (1.4308)	C CF8M	03 316
C3 ASME CLASS 600	04 CF8M (1.4408)	D CF3	05 317
C4 ASME CLASS 900	05 CF3 (1.4306)	E CF3M	08 316L
C5 ASME CLASS 1500	06 CF3M (1.4404)	F CG8M	10 S31803
C6 ASME CLASS 2500	07 CG8M (1.4412)	I CD3MN	22 630
	11 LCB (1.1138)		35 S66286
	12 LCC (1.7219)		
	15 CD3MN (1.4470)		

E. SIZE	F. OPTION	G. END CONNECTION	H. TEMPERATURE
050 2"	F FIRE SAFE	RF RF FLANGED	SH -20~661 °F (-29~350 °C)
080 3"	L EXTENDED STEM	RT RTJ FLANGED	BALL W/HCR SEAT W/STELLITE®
100 4"	I LIVE LOADING		SH1 -20~842 °F (-29~450 °C)
150 6"	H LEVER		BALL W/TC SEAT W/TC
200 8"	G GEAR		SH2 -20~932 °F (-29~500 °C)
250 10"	A BARE SHAFT		BALL W/CRC SEAT W/CRC
300 12"	N NACE		
350 14"	ES EMERGENCY GREASE SEALS		
400 16"	DB DOUBLE BLOCK & BLEED		
450 18"	DP DOUBLE PISTON		
500 20"	DR DRAIN		
600 24"	PG PURGE		
	CY CRYOGENIC DESIGN -40~-320 °F (-40~-196 °C)		



■ HEADQUARTERS

NO. 6-1, QINGNIAN RD., YANGMEI DIST., TAOYUAN CITY 326, TAIWAN  
TEL +886-3-4965066 FAX +886-3-4963526 E-MAIL: sales@jdv.com.tw



0035

Copyright 2021/05. All rights are reserved by JDV.  
The technical data and content may be changed without prior notice.