



JDV
CONTROL
VALVES

JBF-FP Type

PFA Lined Ball Valve

内衬PFA球阀





**JDV
CONTROL
VALVES**

JBF-FP Type

PFA Lined Ball Valve

内衬PFA球阀

Full-Bore Two-Piece Floating Ball Flanged Type

全口径两片式浮动式法兰球阀

JIS 10K ANSI 150LB DIN PN16



JBF-FP Type ball valve is designed for using in the corrosive fluids. PFA lined on the bore and covered on ball, and stem provides the excellent resistance to chemical fluids.

JBF系列球阀适用于腐蚀性流体介质，阀腔和阀流道内衬PFA，阀球和阀轴包裹PFA，因此具有极佳的抗化学流体腐蚀的能力。

Product Features

产品特性

1. 内衬PFA, 抗腐蚀能力强
2. 气泡级双向密封: 阀球和阀座经过精密加工, 保证阀门零泄漏
3. 全口径能够提供和管道相同的CV值
4. 两片式金属配对阀体: 性能(扭力和紧密性)不受管道安装时的轴向和侧向力影响
5. 防静电: 阀球中轴和外壳电势相同, 避免静电在阀球上的累计

Application 应用场合

Corrosive fluids

腐蚀性流体

Applicable Standards: 适用标准:

- Size(公称直径): 1/2"-4"(DN15-DN100)
- Temperature Range(温度范围): -30°C~150°C
- Pressure Rating(压力等级): JIS 10K & ANSI 150LB & DIN PN16
- Face-To-Face Dimensions(法兰面间间距): JIS B2002 & ANSI B16.10 & DIN 3202/T1/F1 (Size DN 15 & DN 20 To DIN EN 558-1)
- Flanged Dimensions(法兰尺寸): JIS B2238 & ANSI B16.5&DIN PN16
- Pressure Test Rating(压力测试标准): JIS B2003 & ANSI B16.34
- Casting(铸造标准): MSS-SP-25 MSS-SP-55

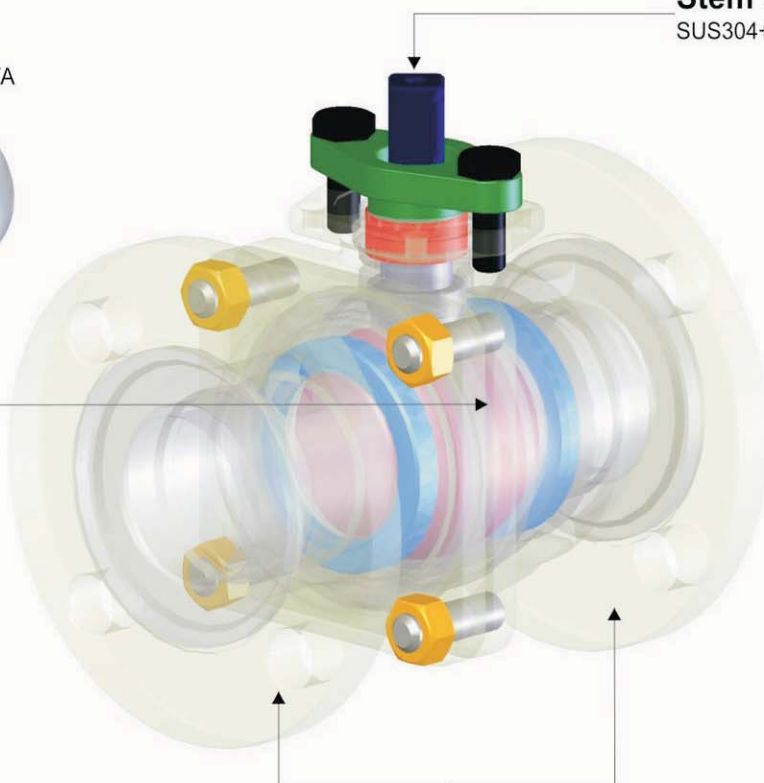
Design & Structures

设计&结构

Ball : SUS304+PFA



Stem :
SUS304+PFA

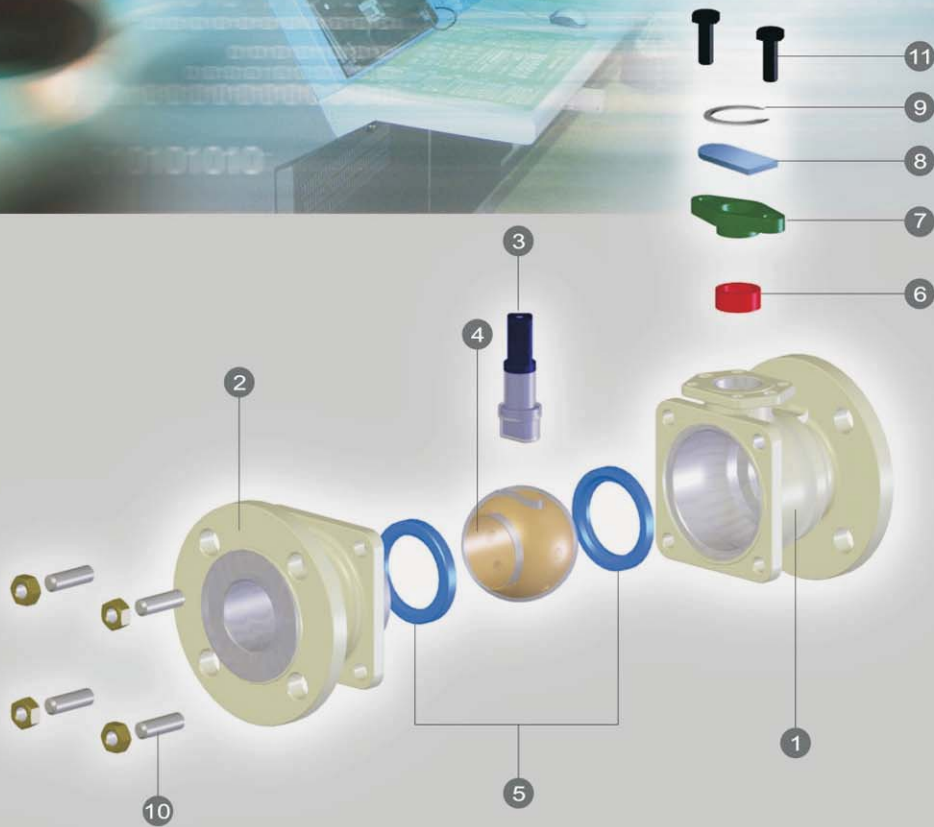


Body & Cap : CF8+PFA





**JDV
CONTROL
VALVES**

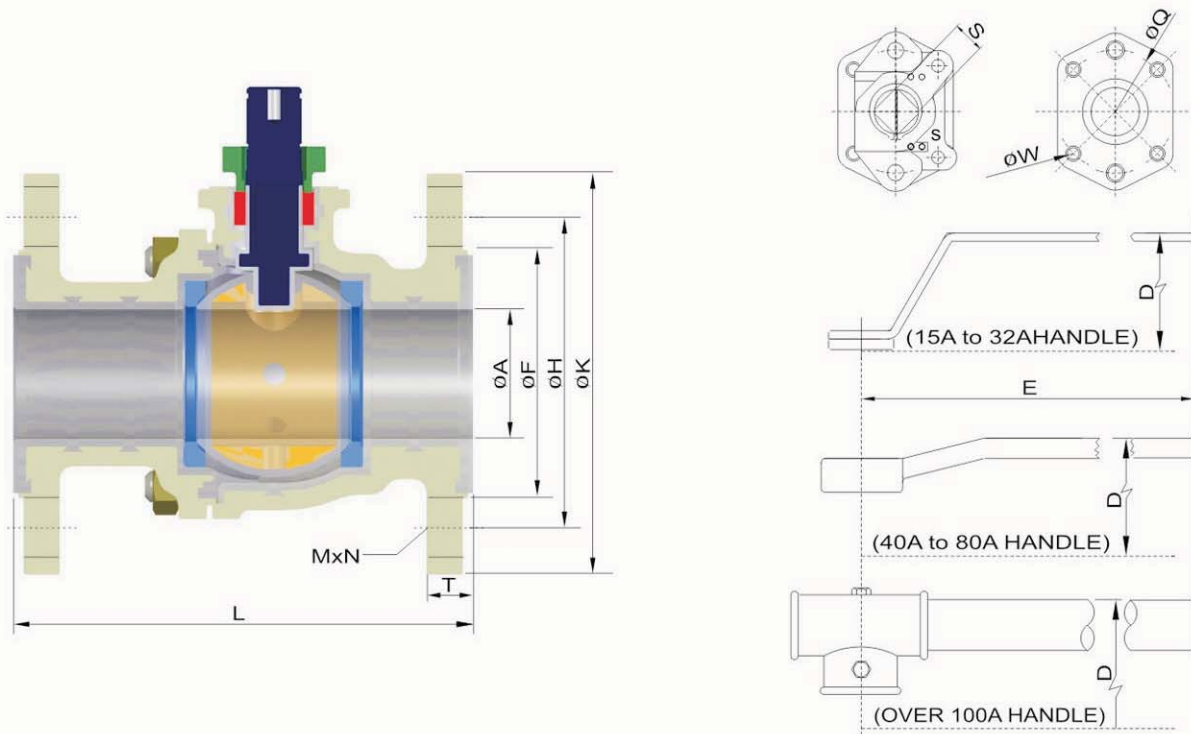


Technical Specification

MATERIAL 材质表

NO	JIS 10K	A1-03
	ANSI 150 LB	C1-03
	DIN PN 16	D2-03
1	BODY 阀体	CF8+PFA / F46+PFA
2	CAP 阀盖	CF8+PFA / F46+PFA
3	STEM 阀杆	SUS304+PFA / F46+PFA
4	BALL 阀球	SUS304+PFA / F46+PFA
5	SEAT 阀座	PTFE
6	PACKING 填料	PTFE
7	GLAND 压盖	SUS304
8	TRAVEL STOP	SUS304
9	SNAP CATCH	SUS304
10	BOLT&NUT	SUS304
11	GLAND BOLT	SUS304
12	HANDLE 手柄	SUS304

Above materials may vary with different using conditions.
以上阀门部件的材质在不同的使用条件下会做调整



DIMENSION (JIS 10K)

(M.M.)

SIZE	A	D	S	E	L	K	T	H	F	M	N	Q	W	KGS	
15	1/2"	20	94	10	145	150*	95	16	70	51	15	4	42	M5	3.5
20	3/4"	20	96	10	145	150*	100	16	75	56	15	4	42	M5	3.8
25	1"	25	112	12	155	127	125	14	90	67	19	4	50	M6	5
40	1-1/2"	38	118	17	219	165	140	16	105	81	19	4	70	M8	8
50	2"	50	126	17	219	178	155	16	120	96	19	4	70	M8	11
65	2-1/2"	65	152	20	324	190	175	18	140	116	19	4	70	M8	21
80	3"	76	161	20	324	203	185	18	150	126	19	8	70	M8	25
100	4"	100	214	27	400	229	210	18	175	151	19	8	102	M10	35

DIMENSION (ANSI-150LB)

(M.M.)

SIZE	A	D	S	E	L	K	T	H	F	M	N	Q	W	KGS	
15	1/2"	20	94	10	145	150*	89	16	60.5	40	16	4	42	M5	3.5
20	3/4"	20	96	10	145	150*	98	16	70	50	16	4	42	M5	3.8
25	1"	25	112	12	155	127	108	14.3	79.5	55	16	4	50	M6	5
40	1-1/2"	38	118	17	219	165	127	17.5	98.5	77	16	4	70	M8	8
50	2"	50	126	17	219	178	152	19.1	120.5	96	19	4	70	M8	11
65	2-1/2"	65	152	20	324	190	178	22.3	139.5	115	19	4	70	M8	21
80	3"	76	161	20	324	203	190	23.9	152.5	127	19	4	70	M8	25
100	4"	100	214	27	400	229	229	23.9	190.5	166	19	8	102	M10	35

DIMENSION (DIN PN16)

(M.M.)

SIZE	A	D	S	E	L	K	T	H	F	M	N	Q	W	KGS	
15	1/2"	20	94	10	145	150*	95	16	65	45	14	4	42	M5	3.5
20	3/4"	20	96	10	145	150*	105	16	75	58	14	4	42	M5	3.8
25	1"	25	112	12	155	160	115	16	85	68	14	4	50	M6	5
40	1-1/2"	38	118	17	219	200	150	18	110	88	18	4	70	M8	8
50	2"	50	126	17	219	230	165	20	125	102	18	4	70	M8	11
65	2-1/2"	65	152	20	324	290	185	20	145	122	18	8	70	M8	21
80	3"	76	161	20	324	310	200	20	160	138	18	8	70	M8	25
100	4"	100	214	27	400	350	220	22	180	158	18	8	102	M10	35

※ P.S. Size DN15/DN20 Face To Face Dimension To DIN EN 558-1.



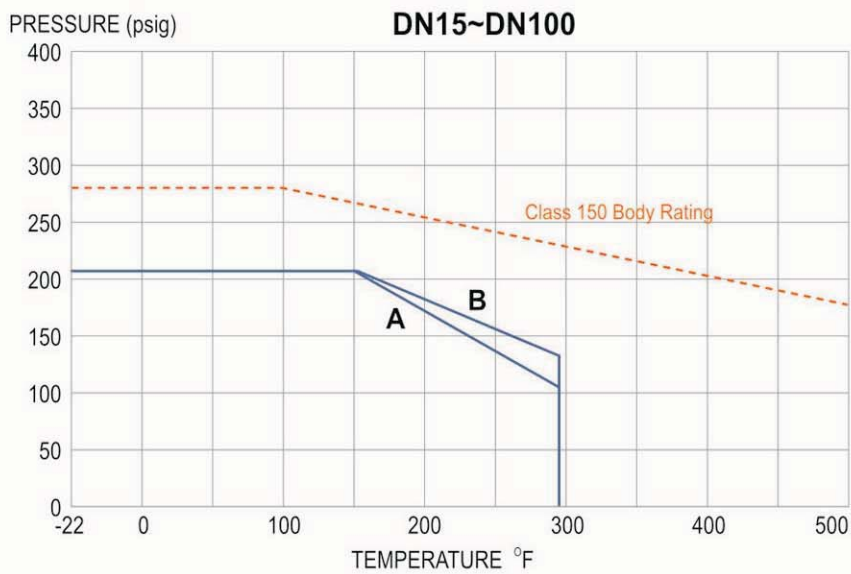
**JDV
CONTROL
VALVES**

Cv VALUE

SIZE(MM)	15A	20A	25A	40A	50A	65A	80A	100A
Cv	30	30	60	205	360	580	900	1550

TEMPERATURE & PRESSURE CURVE PFA LINED BALL VALVE TYPE

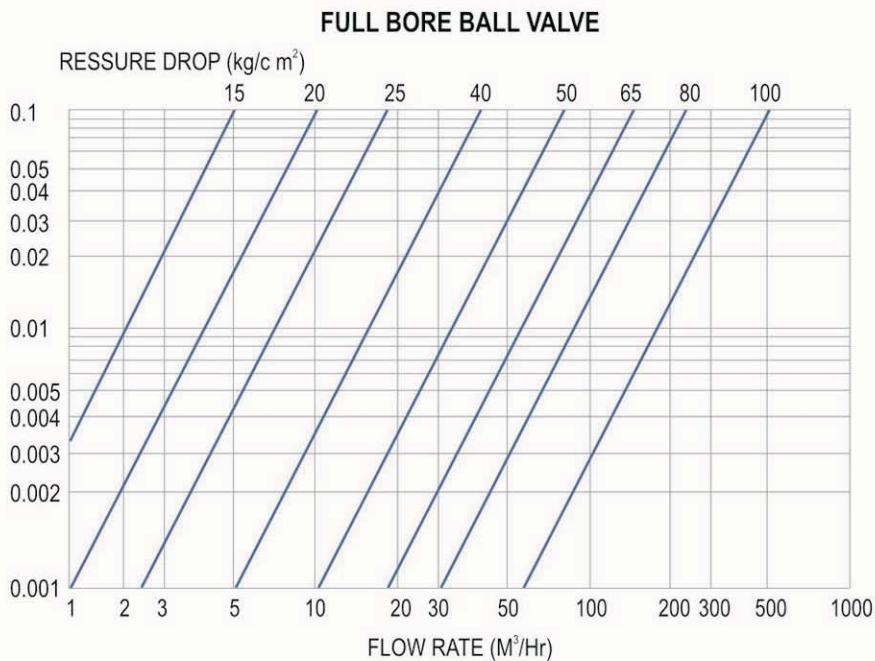
PFA内衬球阀的温度&压力曲线



A = DN15~DN50
B = DN65~DN100

PRESSURE DROP vs FLOW RATE

压降&流量





ISO 9001

CE



HOW TO ORDER

JBF-FP → **A** → **B** → **C** **D** → **E** → **F**

Ex: **JBF-FP** → **A1** → **03** → **P** **P** → **050** → **H**

A. SPECIFICATION	B. BODY MAT'L	C. BALL & STEM MAT'L	D. SEAT MAT'L
A1 JIS 10K	03 CF8+PFA	A CF8+PFA&304+PFA	P PTFE
C1 ANSI 150LB	04 CF8M+PFA	C CF8M+PFA&316+PFA	
D2 DIN PN16	05 CF3+PFA	D CF3+PFA&304L+PFA	
	06 CF3M+PFA	E CF3M+PFA&316L+PFA	

E. SIZE	F. OPTION
015 1/2"	H LEVER
020 3/4"	G GEAR BOX
025 1"	
040 1-1/2"	
050 2"	
065 2-1/2"	
080 3"	
100 4"	

HOW TO ORDER



■ HEADQUARTERS

NO. 6-1, QINGNIAN RD., YANGMEI DIST., TAOYUAN CITY 326, TAIWAN

TEL +886-3-4965066 FAX +886-3-4963526 E-MAIL: sales@jdv.com.tw