



**JDV
CONTROL
VALVES**

JTC Series

Centric Rubber Seat Butterfly Valve





**JDV
CONTROL
VALVES**

JTC SERIES

Centric Rubber Seat Butterfly Valve

Product Features

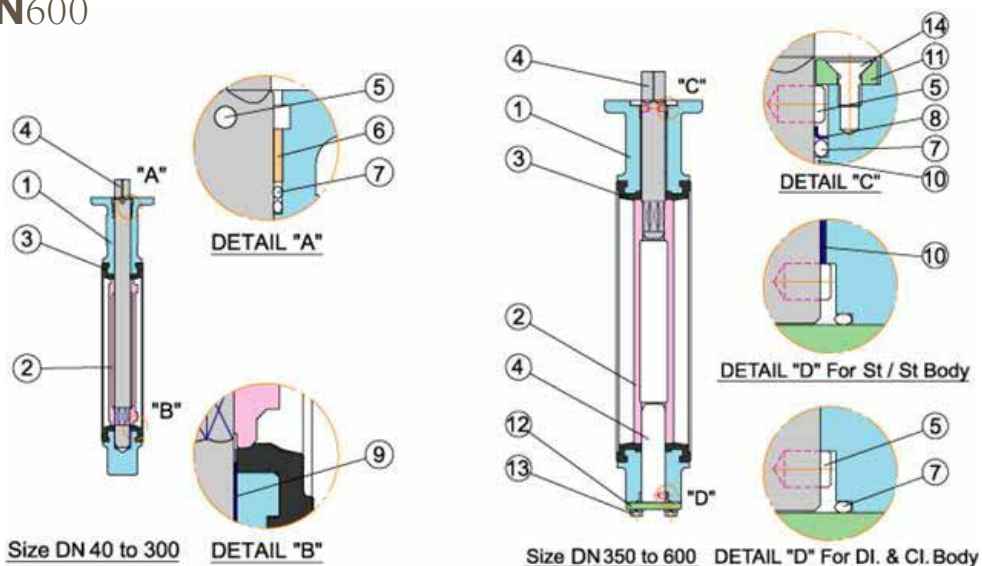
产品特点

- Body Material(阀体材质): Standard in FC-200/WCB/CF8/CF8M Special material is available according to requirements. 可根据客户需求提供相应的特殊材质
- Nominal size(公称直径):1-1/2" to 36" (DN40 to DN900)
- Pressure Rating(压力标准): ANSI 125 /150LB JIS 10K DIN PN10 /16
- Face To Face Dimensions(法兰面间距尺寸):Valve body are designed to meet ISO 5752 table 5 short
- Temperature Range(温度范围): -20°C --204°C
- End Connection (端部连接形式) : Wafer / Wafer Lugged / Flange
- Top Works: 24" and below, valve mounting flange and stem shall be per ISO 5211
28" and above, valve mounting flange per ISO 5211, stem shall be round keyed.
- Bi-directional bubble-tight shut off to
 - 16 bar (230psi)----- DN40~DN300mm
 - 10 bar (150psi)----- DN350~DN900mm
- And tested to 110% of full rating
 - 18 bar (260psi)----- DN40~DN300mm
 - 11 bar (160psi)----- DN350~DN900mm
- The body strength can stand 150% of full rating.
 - 24 bar (340psi)----- DN40~DN300mm
 - 15 bar (220psi)----- DN350~DN900mm



TECHNICAL SPECIFICATION 技术资料

DN40~DN600

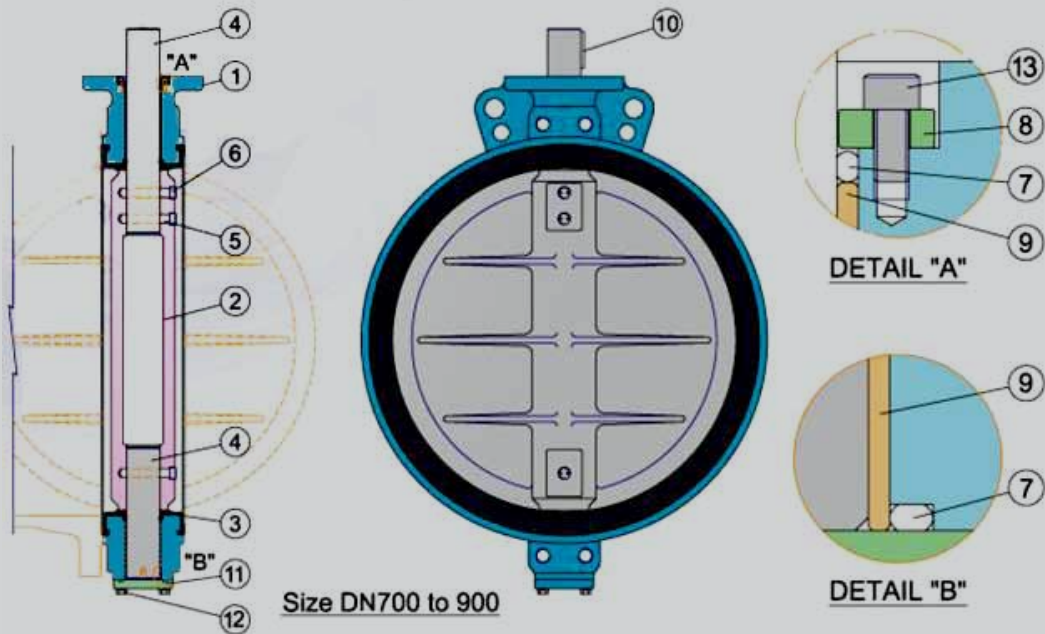


MATERIA

| NO. | Name | Materials | Specification | | Remark |
|-----|--------------|-----------------|---------------|----------------|-------------------------------------|
| | | | JIS | ASTM | |
| 1 | BODY | CAST IRON | FC 200 | A126-B | |
| | | DUCTILE IRON | FCD 450 | A-536-65-45-12 | |
| | | STAINLESS STEEL | SCS 13 | A351 CF8 | |
| | | | SCS 14 | A351 CF8M | |
| 2 | DISC | DUCTILE IRON | FCD 450 | A-536-65-45-12 | Nylon 11 coated |
| | | STAINLESS STEEL | SCS 13 | A351 CF8 | |
| | | | SCS 14 | A351 CF8M | |
| | | ALU-BRONZE | ALBC2 | B148-954 | |
| 3 | SEAT | NBR(NITRILE) | | | -10° ~80°C (14° ~176° F) |
| | | EPDM | | | -20° ~120°C (-4° ~248° F) |
| | | NEOPRENE(CR) | | | 0° ~80°C (32° ~176° F) |
| | | SILICON | | | -20° ~180°C (-4° ~356° F) |
| | | HYPALON(CSM) | | | -20° ~135°C (-4° ~275° F) |
| | | VITON | | | -18° ~204°C (-0.4° ~400° F) |
| 4 | STEM | STAINLESS STEEL | SUS 410 | A182 F6A | |
| | | | SUS 304 | A182 F304 | |
| | | | SUS 316 | A182 F316 | |
| 5 | PIN | STAINLESS STEEL | SUS 316 | A182 F316 | |
| 6 | BUSH | DELFIN | | | |
| 7 | O-RING | NBR (NITRILE) | | | |
| 8 | BACK-UP RING | PLASTIC | | | |
| 9 | BUSH | BRONZE | BC6 | B62 | For cast iron and ductile iron body |
| | | STEEL | SS41 | A6 | For cast iron and ductile iron body |
| 10 | UPPER COVER | STEEL | SUS 304 | A240 304 | For stainless steel body |
| | | CAST IRON | FC 200 | A126-B | For cast iron and ductile iron body |
| 11 | BOTTOM COVER | CAST IRON | FC 200 | A126-B | For cast iron and ductile iron body |
| | | STAINLESS STEEL | SCS 13 | A351 CF8 | For stainless steel body |
| 12 | BOLT | STEEL | | | |
| 13 | BOLT | STEEL | | | |



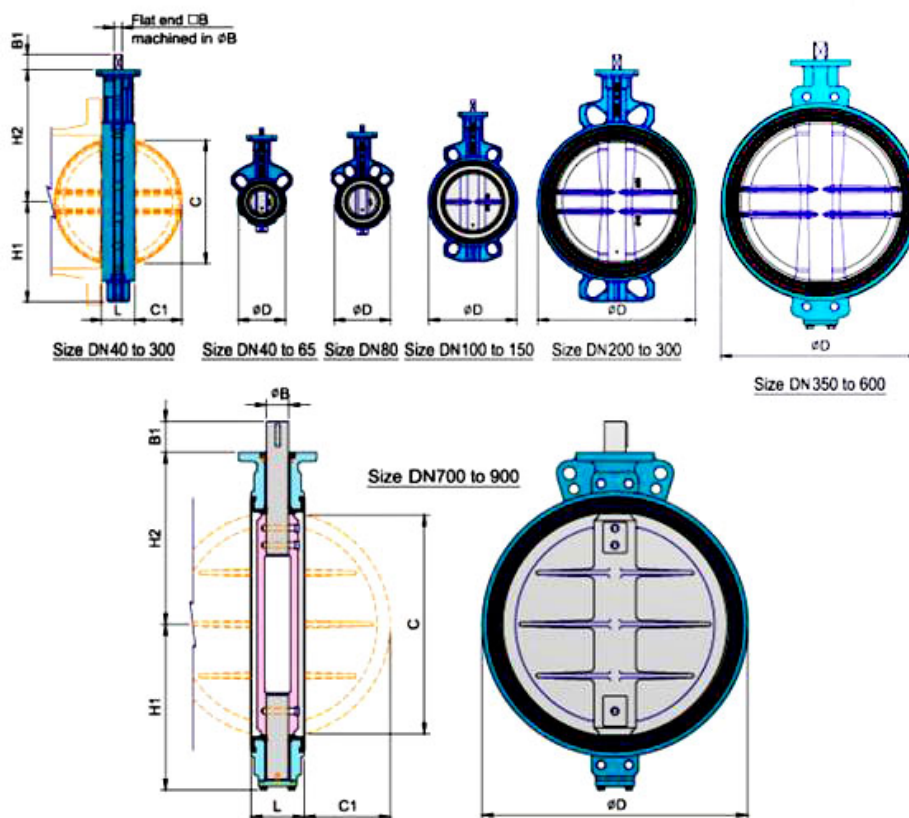
WAFER & FLANGE TYPE DN700~DN900



MATERIA

| NO. | Name | Materials | Specification | | Remark |
|-----|--------------|-----------------|---------------|----------------|-------------------------------------|
| | | | JIS | ASTM | |
| 1 | BODY | DUCTILE IRON | FCD 450 | A-536-65-45-12 | |
| | | STAINLESS STEEL | SCS 13 | A351 CF8 | |
| | | | SCS 14 | A351 CF8M | |
| 2 | DISC | DUCTILE IRON | FCD 450 | A-536-65-45-12 | Nylon 11 coated |
| | | STAINLESS STEEL | SCS 13 | A351 CF8 | |
| | | | SCS 14 | A351 CF8M | |
| 3 | SEAT | NBR (NITRILE) | | | -10° ~80°C (14° ~176° F) |
| | | EPDM | | | -20° ~120°C (-4° ~248° F) |
| | | NEOPRENE (CR) | | | 0° ~80°C (32° ~176° F) |
| | | SILICON | | | -20° ~180°C (-4° ~356° F) |
| | | HYPALON (CSM) | | | -20° ~135°C (-4° ~275° F) |
| | | VITON | | | -18° ~204°C (-0.4° ~400° F) |
| 4 | STEM | STAINLESS STEEL | SUS 410 | A182 F6A | |
| | | | SUS 304 | A182 F304 | |
| | | | SUS 316 | A182 F316 | |
| 5 | PIN | STAINLESS STEEL | SUS 316 | A182 F316 | |
| 6 | PLUG | STAINLESS STEEL | | | |
| 7 | O-RING | NBR(NITRILE) | | | |
| 8 | UPPER COVER | STEEL | SS41 | A6 | For stainless steel body |
| | | STAINLESS STEEL | SUS 304 | A240 304 | For cast iron and ductile iron body |
| 9 | BUSH | BRONZE | BC6 | B62 | |
| 10 | UPPER COVER | STEEL | | | |
| 11 | BEARING | BRONZE | BC6 | B62 | |
| 12 | BOTTOM COVER | CAST IRON | FC 200 | A126-B | |
| 13 | BOLT | STEEL | | | |
| 14 | BOLT | STEEL | | | |

WAFER TYPE DN40~DN900

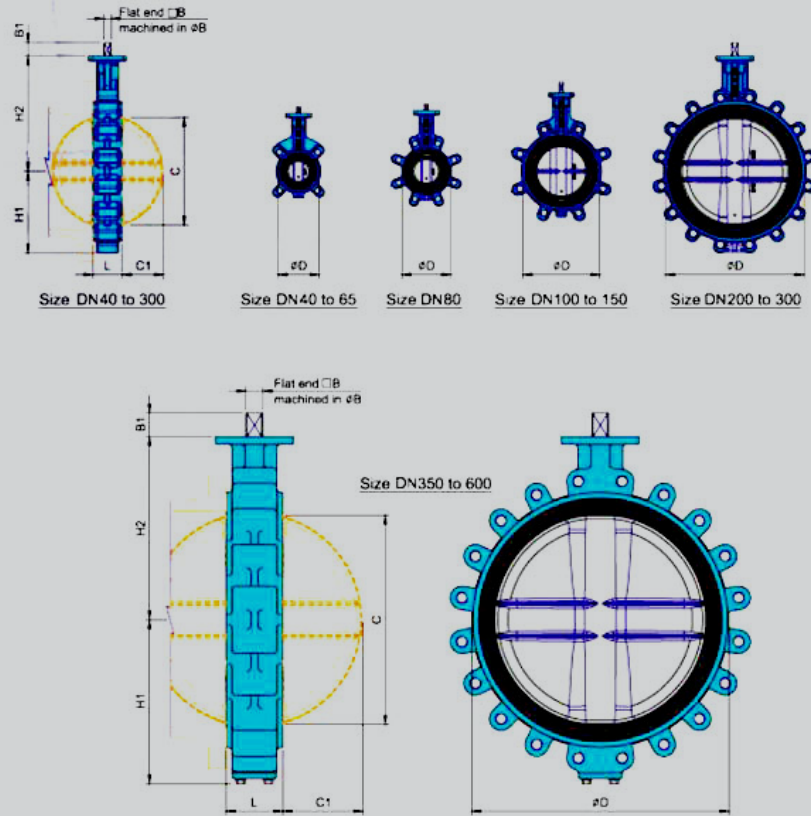


DIMENSIONS

| SIZE | | Face to Face | | | | | Mounting flange (ISO 5211) | | Flat shaft end | | | key | Disc clearance | | Weight |
|------|-------|--------------|-------|-----|------|------|----------------------------|-----|----------------|----|-------|-----|----------------|------|--------|
| mm | inch | | L | H1 | H2 | D | Type | PCD | B | B1 | ØB | | C | C1 | |
| mm | inch | L | H1 | H2 | D | Type | PCD | B | B1 | ØB | | C | C1 | kg | |
| 40 | 1-1/2 | 33 | 60 | 120 | 81 | F07 | 70 | 11 | 19 | 14 | | 34 | 7 | 2 | |
| 50 | 2 | 43 | 65 | 143 | 96 | F07 | 70 | 11 | 19 | 14 | | 39 | 8 | 3 | |
| 65 | 2-1/2 | 46 | 71 | 155 | 110 | F07 | 70 | 11 | 19 | 14 | | 55 | 13 | 3.8 | |
| 80 | 3 | 46 | 77 | 162 | 124 | F07 | 70 | 11 | 19 | 14 | | 69 | 19 | 4 | |
| 100 | 4 | 52 | 107 | 181 | 148 | F07 | 70 | 11 | 19 | 14 | | 91 | 27 | 5.3 | |
| 125 | 5 | 56 | 122 | 197 | 180 | F07 | 70 | 14 | 19 | 19 | | 115 | 36 | 7.3 | |
| 150 | 6 | 56 | 140 | 210 | 206 | F07 | 70 | 14 | 19 | 19 | | 140 | 47 | 8.2 | |
| 200 | 8 | 60 | 165 | 240 | 259 | F10 | 102 | 17 | 24 | 22 | | 186 | 68 | 13.5 | |
| 250 | 10 | 68 | 201 | 286 | 320 | F10 | 102 | 19 | 24 | 25 | | 239 | 90 | 21.2 | |
| 300 | 12 | 78 | 234 | 309 | 370 | F10 | 102 | 22 | 24 | 30 | | 288 | 111 | 32.5 | |
| 350 | 14 | 78 | 301.5 | 329 | 412 | F12 | 125 | 27 | 29 | 35 | | 325 | 128 | 48 | |
| 400 | 16 | 102 | 333.5 | 361 | 475 | F12 | 125 | 32 | 29 | 42 | | 375 | 143 | 60 | |
| 450 | 18 | 114 | 358.5 | 393 | 530 | F14 | 140 | 32 | 38 | 45 | | 423 | 162 | 80 | |
| 500 | 20 | 127 | 392.5 | 427 | 585 | F14 | 140 | 36 | 38 | 50 | | 473 | 182 | 125 | |
| 600 | 24 | 154 | 454.5 | 492 | 687 | F16 | 165 | 46 | 48 | 60 | | 560 | 214 | 200 | |
| 700 | 28 | 165 | 508 | 533 | 796 | F25 | 254 | | 110 | 70 | 18*12 | 655 | 255 | 395 | |
| 750 | 30 | 190 | 543 | 568 | 856 | F25 | 254 | | 110 | 75 | 20*12 | 692 | 264 | 490 | |
| 800 | 32 | 190 | 574 | 599 | 903 | F25 | 254 | | 110 | 75 | 20*12 | 736 | 285 | 580 | |
| 900 | 36 | 203 | 632 | 660 | 1003 | F25 | 254 | | 110 | 85 | 24*16 | 841 | 331 | 730 | |



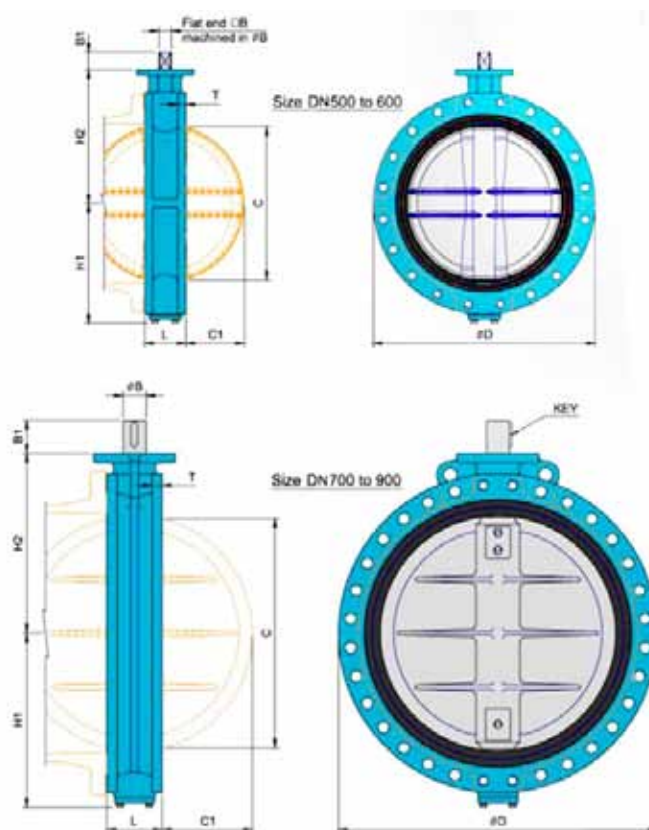
LUG TYPE DN40~DN600



DIMENSIONS

| SIZE | | Face to Face | | | | | Mounting flange (ISO 5211) | | Flat shaft end | | | Disc clearance | | Weight |
|------|-------|--------------|-------|-----|-----|------|-------------------------------|----|----------------|----|-----|----------------|------|--------|
| mm | inch | L | H1 | H2 | D | Type | PCD | B | B1 | ØB | C | C1 | kg | |
| 40 | 1-1/2 | 33 | 60 | 120 | 81 | F07 | 70 | 11 | 19 | 14 | 34 | 7 | 2.2 | |
| 50 | 2 | 43 | 65 | 143 | 96 | F07 | 70 | 11 | 19 | 14 | 39 | 8 | 3.4 | |
| 65 | 2-1/2 | 46 | 71 | 155 | 110 | F07 | 70 | 11 | 19 | 14 | 55 | 13 | 4 | |
| 80 | 3 | 46 | 77 | 162 | 124 | F07 | 70 | 11 | 19 | 14 | 69 | 19 | 4.5 | |
| 100 | 4 | 52 | 89 | 181 | 148 | F07 | 70 | 11 | 19 | 14 | 91 | 27 | 7.6 | |
| 125 | 5 | 56 | 112 | 197 | 180 | F07 | 70 | 14 | 19 | 19 | 115 | 36 | 9.5 | |
| 150 | 6 | 56 | 123 | 210 | 206 | F07 | 70 | 14 | 19 | 19 | 140 | 47 | 10.4 | |
| 200 | 8 | 60 | 150 | 240 | 259 | F10 | 102 | 17 | 24 | 22 | 186 | 68 | 17.5 | |
| 250 | 10 | 68 | 179 | 286 | 320 | F10 | 102 | 19 | 24 | 25 | 239 | 90 | 26.5 | |
| 300 | 12 | 78 | 216 | 309 | 370 | F10 | 102 | 22 | 24 | 30 | 288 | 111 | 43.5 | |
| 350 | 14 | 78 | 301.5 | 329 | 412 | F12 | 125 | 27 | 29 | 35 | 325 | 128 | 58 | |
| 400 | 16 | 102 | 333.5 | 361 | 475 | F12 | 125 | 32 | 29 | 42 | 375 | 143 | 81 | |
| 450 | 18 | 114 | 358.5 | 393 | 530 | F14 | 140 | 32 | 38 | 45 | 423 | 162 | 110 | |
| 500 | 20 | 127 | 392.5 | 427 | 585 | F14 | 140 | 36 | 38 | 50 | 473 | 182 | 155 | |
| 600 | 24 | 154 | 454.5 | 492 | 687 | F16 | 165 | 46 | 48 | 60 | 560 | 214 | 259 | |

FLANGE TYPE DN500~DN900

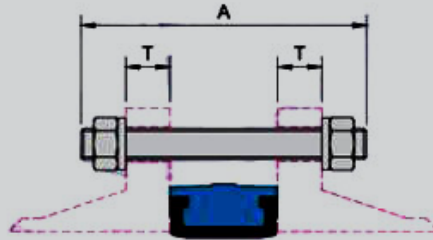


DIMENSIONS

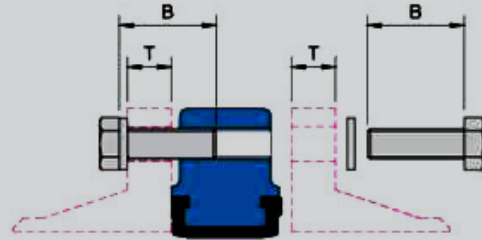
| SIZE | | Face to Face | | | | | Mounting flange (ISO 5211) | | Flat shaft end | | | key | Disc clearance | | Weight | |
|------|------|--------------|-------|-----|------|-----|----------------------------|-----|----------------|----|-------|-----|----------------|----|--------|----|
| mm | inch | | L | H1 | H2 | D | Type | PCD | B | B1 | ØB | | C | C1 | T | kg |
| 500 | 20 | 127 | 392.5 | 427 | 715 | F14 | 140 | 36 | 38 | 50 | | 473 | 182 | 30 | 190 | |
| 600 | 24 | 154 | 454.5 | 492 | 840 | F16 | 165 | 46 | 48 | 60 | | 560 | 214 | 32 | 260 | |
| 700 | 28 | 165 | 508 | 533 | 927 | F25 | 254 | | 110 | 70 | 18*12 | 655 | 255 | 34 | 380 | |
| 750 | 30 | 190 | 543 | 568 | 997 | F25 | 254 | | 110 | 75 | 20*12 | 692 | 264 | 36 | 480 | |
| 800 | 32 | 190 | 574 | 599 | 1060 | F25 | 254 | | 110 | 75 | 20*12 | 736 | 285 | 36 | 540 | |
| 900 | 36 | 203 | 632 | 660 | 1170 | F25 | 254 | | 110 | 85 | 24*16 | 841 | 331 | 40 | 700 | |



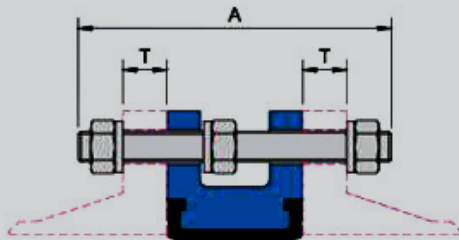
BOLTING FOR INSTALLATION



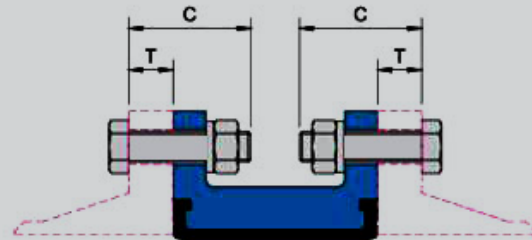
**WAFFER TYPE
DN40 ~ DN900**



**FULL LUG TYPE
DN40 ~ DN600**



**FLANGE TYPE
DN500**

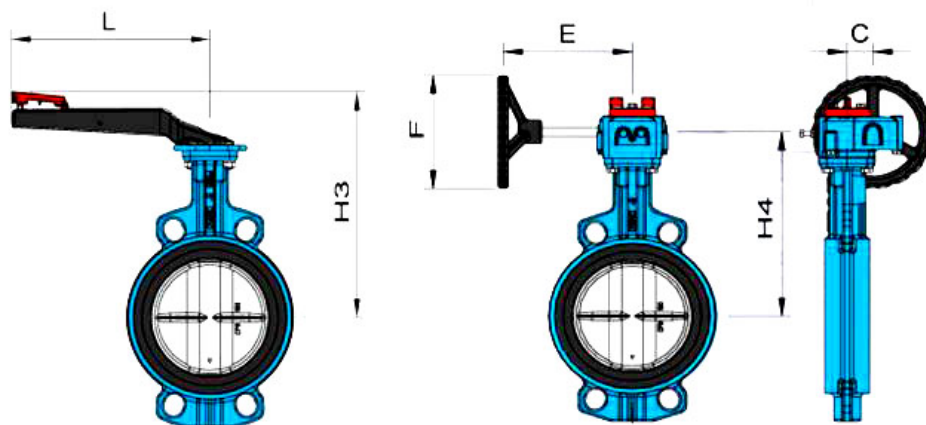


**FLANGE TYPE
DN600 ~ DN900**

DIMENSIONS

| Size | | PN10 | | | | | PN16 | | | | | ASME B16.5 CLASS150 ASME B16.47 CLASS150 SERIES A | | | | JIS 10K | | | | | | |
|------|-------|-----------|-----|----|-----|----|-----------|-----|-----|-----|----|---|-----|-----|-----|---------|-----------|-----|----|-----|----|--|
| mm | inch | Bolt Size | A | B | C | T | Bolt Size | A | B | C | T | Bolt Size | A | B | C | T | Bolt Size | A | B | C | T | |
| 40 | 1-1/2 | M 16 | 115 | 35 | | 18 | M 16 | 115 | 35 | | 18 | 1/2" | 105 | 35 | | 18 | M 16 | 110 | 35 | | 16 | |
| 50 | 2 | M 16 | 130 | 40 | | 20 | M 16 | 130 | 40 | | 20 | 5/8" | 125 | 40 | | 19 | M 16 | 120 | 40 | | 16 | |
| 65 | 2-1/2 | M 16 | 130 | 45 | | 20 | M 16 | 130 | 45 | | 20 | 5/8" | 135 | 45 | | 22 | M 16 | 125 | 45 | | 18 | |
| 80 | 3 | M 16 | 130 | 45 | | 20 | M 16 | 130 | 45 | | 20 | 5/8" | 140 | 45 | | 24 | M 16 | 125 | 45 | | 18 | |
| 100 | 4 | M 16 | 140 | 50 | | 22 | M 16 | 140 | 50 | | 22 | 5/8" | 145 | 50 | | 24 | M 16 | 135 | 45 | | 18 | |
| 125 | 5 | M 16 | 145 | 50 | | 22 | M 16 | 145 | 50 | | 22 | 3/4" | 155 | 55 | | 24 | M 20 | 145 | 55 | | 20 | |
| 150 | 6 | M 20 | 160 | 55 | | 24 | M 20 | 160 | 55 | | 24 | 3/4" | 160 | 55 | | 25 | M 20 | 155 | 55 | | 22 | |
| 200 | 8 | M 20 | 165 | 55 | | 24 | M 20 | 160 | 55 | | 24 | 3/4" | 170 | 60 | | 28 | M 20 | 160 | 55 | | 22 | |
| 250 | 10 | M 20 | 175 | 60 | | 26 | M 24 | 180 | 60 | | 26 | 7/8" | 185 | 65 | | 30 | M 22 | 175 | 60 | | 24 | |
| 300 | 12 | M 20 | 185 | 60 | | 26 | M 24 | 195 | 70 | | 28 | 3/4" | 200 | 70 | | 32 | M 22 | 185 | 60 | | 24 | |
| 350 | 14 | M 20 | 185 | 60 | | 26 | M 24 | 200 | 70 | | 30 | 1" | 215 | 75 | | 35 | M 22 | 185 | 65 | | 26 | |
| 400 | 16 | M 24 | 220 | 65 | | 26 | M 27 | 235 | 80 | | 32 | 1" | 245 | 80 | | 37 | M 24 | 225 | 70 | | 28 | |
| 450 | 18 | M 24 | 235 | 70 | | 28 | M 27 | 265 | 85 | | 40 | 1-1/8" | 265 | 85 | | 40 | M 24 | 240 | 70 | | 30 | |
| 500 | 20 | M 24 | 250 | 70 | | 28 | M 30 | 290 | 100 | | 44 | 1-1/8" | 285 | 90 | | 43 | M 24 | 250 | 70 | | 30 | |
| 600 | 24 | M 27 | 295 | 80 | 100 | 34 | M 33 | 345 | 110 | 130 | 54 | 1-1/4" | 330 | 100 | 120 | 48 | M 30 | 295 | 80 | 100 | 32 | |
| 700 | 28 | M 27 | 295 | | 100 | 30 | M 33 | 325 | | 120 | 38 | 1-1/4" | 390 | | 150 | 71 | M 30 | 310 | | 110 | 34 | |
| 750 | 30 | | | | | | | | | | | 1-1/4" | 420 | | 150 | 75 | M 30 | 335 | | 110 | 36 | |
| 800 | 32 | M 30 | 330 | | 110 | 32 | M 36 | 355 | | 120 | 38 | 1-1/2" | 445 | | 170 | 81 | M 30 | 335 | | 110 | 36 | |
| 900 | 36 | M 30 | 345 | | 110 | 34 | M 36 | 370 | | 130 | 40 | 1-1/2" | 475 | | 180 | 90 | M 30 | 355 | | 120 | 38 | |
| 1000 | 40 | M 33 | | | 120 | 34 | M 39 | | | 130 | 42 | 1-1/2" | | | 180 | 90 | M 36 | | | 130 | 40 | |
| 1050 | 42 | | | | | | | | | | | 1-1/2" | | | 190 | 97 | | | | | | |
| 1100 | 44 | | | | | | | | | | | 1-1/2" | | | 190 | 102 | M 36 | | | 130 | 42 | |
| 1200 | 48 | M 36 | | | 130 | 38 | M 45 | | | 150 | 48 | 1-1/2" | | | 200 | 108 | M 36 | | | 130 | 44 | |

LEVER & GEAR OPERATED



DIMENSIONS

| Size | | Operator Series no. | Lever operator | | Gear operator | | | | Handwheel turns ON/OFF | Mounting flange (ISO 5211) | |
|------|-------|---------------------|----------------|-----|---------------|-----|-----|-----|------------------------|----------------------------|------|
| mm | inch | | H3 | L | H4 | C | E | F | | N | Type |
| 40 | 1-1/2 | L 7A | 181 | 200 | 157 | 41 | 155 | 150 | 10 | F07 | 70 |
| | | C 07 | | | | | | | | | |
| 50 | 2 | L 7A | 204 | 200 | 180 | 41 | 155 | 150 | 10 | F07 | 70 |
| | | C 07 | | | | | | | | | |
| 65 | 2-1/2 | L 7A | 216 | 200 | 192 | 41 | 155 | 150 | 10 | F07 | 70 |
| | | C 07 | | | | | | | | | |
| 80 | 3 | L 7A | 223 | 200 | 199 | 41 | 155 | 150 | 10 | F07 | 70 |
| | | C 07 | | | | | | | | | |
| 100 | 4 | L 7B | 242 | 200 | 218 | 41 | 155 | 150 | 10 | F07 | 70 |
| | | C 07 | | | | | | | | | |
| 125 | 5 | L 7B | 258 | 250 | 234 | 41 | 155 | 150 | 10 | F07 | 70 |
| | | C 07 | | | | | | | | | |
| 150 | 6 | L 7B | 271 | 250 | 247 | 41 | 155 | 150 | 10 | F10 | 70 |
| | | C 07 | | | | | | | | | |
| 200 | 8 | L 10 | 308 | 355 | 281.5 | 61 | 195 | 200 | 9 | F10 | 102 |
| | | C 10 | | | | | | | | | |
| 250 | 10 | L 10 | 354 | 355 | 327.5 | 61 | 195 | 200 | 9 | F10 | 102 |
| | | C 10 | | | | | | | | | |
| 300 | 12 | L 10 | 377 | 355 | 350.5 | 61 | 195 | 200 | 9 | F10 | 102 |
| | | C 10 | | | | | | | | | |
| 350 | 14 | C 12 | | | 370 | 61 | 232 | 310 | 9.5 | F12 | 125 |
| 400 | 16 | C 12 | | | 402 | 61 | 232 | 310 | 9.5 | F12 | 125 |
| 450 | 18 | C 14 | | | 445 | 81 | 235 | 450 | 12 | F14 | 140 |
| 500 | 20 | C 14 | | | 479 | 81 | 235 | 450 | 12 | F14 | 140 |
| 600 | 24 | A2 | | | 548 | 123 | 307 | 400 | 17.5 | F16 | 165 |
| 700 | 28 | A3+S3 | | | 678 | 160 | 370 | 400 | 52.5 | F25 | 254 |
| 750 | 30 | A3+S3 | | | 713 | 160 | 370 | 400 | 52.5 | F25 | 254 |
| 800 | 32 | A3+S3 | | | 744 | 160 | 370 | 400 | 52.5 | F25 | 254 |
| 900 | 36 | A3+S3 | | | 805 | 160 | 370 | 400 | 52.5 | F30 | 254 |
| 1000 | 40 | A4+S4 | | | 925 | 197 | 471 | 600 | 90 | F30 | 298 |
| 1050 | 42 | A4+S4 | | | 988 | 197 | 471 | 600 | 90 | F30 | 298 |
| 1100 | 44 | A4+S4 | | | 952 | 197 | 471 | 600 | 90 | F30 | 298 |
| 1200 | 48 | A4+S4 | | | 1059 | 197 | 471 | 600 | 90 | F30 | 298 |



DESIGN DETAILS AND SPECIFICATIONS

Kv Values-Valve Sizing Coefficient

| Size | | Disc Angle (Open Degree) | | | | | | | | |
|-------|-------|--------------------------|-------|-------|--------|--------|--------|--------|--------|---------|
| mm | inch | 10° | 20° | 30° | 40° | 50° | 60° | 70° | 80° | 90° |
| 40 | 1-1/2 | 1 | 2 | 7 | 14 | 22 | 36 | 59 | 81 | 113 |
| 50 | 2 | 1 | 4 | 10 | 22 | 38 | 60 | 100 | 132 | 193 |
| 65 | 2-1/2 | 2 | 8 | 18 | 35 | 61 | 95 | 187 | 240 | 315 |
| 80 | 3 | 3 | 10 | 26 | 48 | 83 | 126 | 214 | 338 | 425 |
| 100 | 4 | 4 | 15 | 39 | 72 | 119 | 221 | 361 | 606 | 723 |
| 125 | 5 | 7 | 24 | 62 | 118 | 217 | 394 | 599 | 1,038 | 1,243 |
| 150 | 6 | 10 | 41 | 95 | 175 | 326 | 542 | 873 | 1,260 | 1,859 |
| 200 | 8 | 19 | 64 | 165 | 306 | 573 | 995 | 1,567 | 2,310 | 3,124 |
| 250 | 10 | 28 | 101 | 245 | 451 | 836 | 1,462 | 2,253 | 3,256 | 4,757 |
| 300 | 12 | 34 | 129 | 312 | 615 | 1,137 | 2,125 | 3,248 | 4,991 | 7,058 |
| 350 | 14 | 47 | 163 | 390 | 795 | 1,498 | 2,573 | 3,980 | 5,749 | 8,319 |
| 400 | 16 | 62 | 231 | 508 | 1,077 | 1,973 | 3,381 | 5,385 | 8,099 | 11,458 |
| 450 | 18 | 75 | 256 | 621 | 1,208 | 2,315 | 3,925 | 6,331 | 9,474 | 13,612 |
| 500 | 20 | 103 | 346 | 859 | 1,692 | 3,086 | 5,348 | 8,513 | 13,109 | 18,748 |
| 600 | 24 | 139 | 494 | 1,153 | 2,389 | 4,466 | 7,561 | 11,945 | 18,088 | 25,217 |
| 700 | 28 | 191 | 659 | 1,674 | 3,224 | 5,990 | 10,659 | 17,442 | 25,194 | 36,821 |
| 750 | 30 | 203 | 700 | 1,777 | 3,420 | 6,354 | 11,307 | 18,503 | 26,727 | 39,062 |
| 800 | 32 | 257 | 973 | 2,302 | 4,533 | 8,235 | 14,123 | 23,021 | 31,613 | 45,995 |
| 900 | 36 | 329 | 1,253 | 2,950 | 5,862 | 10,810 | 18,184 | 29,756 | 42,893 | 61,044 |
| 1,000 | 40 | 510 | 1,919 | 4,456 | 7,956 | 13,494 | 21,939 | 36,000 | 54,649 | 68,874 |
| 1,050 | 42 | 587 | 2,061 | 4,574 | 8,398 | 14,244 | 23,158 | 37,999 | 57,684 | 72,699 |
| 1,100 | 44 | 703 | 2,634 | 6,076 | 10,282 | 16,612 | 26,431 | 43,450 | 68,122 | 79,219 |
| 1,200 | 48 | 969 | 3,638 | 8,103 | 14,180 | 22,107 | 35,317 | 57,822 | 90,417 | 106,288 |

DESIGN DETAILS AND SPECIFICATIONS

| Size | | Disc Angle (Open Degree) | | | | | | | | |
|-------|-------|--------------------------|-------|-------|--------|--------|--------|--------|--------|---------|
| mm | inch | 10° | 20° | 30° | 40° | 50° | 60° | 70° | 80° | 90° |
| 40 | 1-1/2 | 1 | 2 | 7 | 14 | 22 | 36 | 59 | 81 | 113 |
| 50 | 2 | 1 | 4 | 10 | 22 | 38 | 60 | 100 | 132 | 193 |
| 65 | 2-1/2 | 2 | 8 | 18 | 35 | 61 | 95 | 187 | 240 | 315 |
| 80 | 3 | 3 | 10 | 26 | 48 | 83 | 126 | 214 | 338 | 425 |
| 100 | 4 | 4 | 15 | 39 | 72 | 119 | 221 | 361 | 606 | 723 |
| 125 | 5 | 7 | 24 | 62 | 118 | 217 | 394 | 599 | 1,038 | 1,243 |
| 150 | 6 | 10 | 41 | 95 | 175 | 326 | 542 | 873 | 1,260 | 1,859 |
| 200 | 8 | 19 | 64 | 165 | 306 | 573 | 995 | 1,567 | 2,310 | 3,124 |
| 250 | 10 | 28 | 101 | 245 | 451 | 836 | 1,462 | 2,253 | 3,256 | 4,757 |
| 300 | 12 | 34 | 129 | 312 | 615 | 1,137 | 2,125 | 3,248 | 4,991 | 7,058 |
| 350 | 14 | 47 | 163 | 390 | 795 | 1,498 | 2,573 | 3,980 | 5,749 | 8,319 |
| 400 | 16 | 62 | 231 | 508 | 1,077 | 1,973 | 3,381 | 5,385 | 8,099 | 11,458 |
| 450 | 18 | 75 | 256 | 621 | 1,208 | 2,315 | 3,925 | 6,331 | 9,474 | 13,612 |
| 500 | 20 | 103 | 346 | 859 | 1,692 | 3,086 | 5,348 | 8,513 | 13,109 | 18,748 |
| 600 | 24 | 139 | 494 | 1,153 | 2,389 | 4,466 | 7,561 | 11,945 | 18,088 | 25,217 |
| 700 | 28 | 191 | 659 | 1,674 | 3,224 | 5,990 | 10,659 | 17,442 | 25,194 | 36,821 |
| 750 | 30 | 203 | 700 | 1,777 | 3,420 | 6,354 | 11,307 | 18,503 | 26,727 | 39,062 |
| 800 | 32 | 257 | 973 | 2,302 | 4,533 | 8,235 | 14,123 | 23,021 | 31,613 | 45,995 |
| 900 | 36 | 329 | 1,253 | 2,950 | 5,862 | 10,810 | 18,184 | 29,756 | 42,893 | 61,044 |
| 1,000 | 40 | 510 | 1,919 | 4,456 | 7,956 | 13,494 | 21,939 | 36,000 | 54,649 | 68,874 |
| 1,050 | 42 | 587 | 2,061 | 4,574 | 8,398 | 14,244 | 23,158 | 37,999 | 57,684 | 72,699 |
| 1,100 | 44 | 703 | 2,634 | 6,076 | 10,282 | 16,612 | 26,431 | 43,450 | 68,122 | 79,219 |
| 1,200 | 48 | 969 | 3,638 | 8,103 | 14,180 | 22,107 | 35,317 | 57,822 | 90,417 | 106,288 |

To Use The Torque Chart, Note The Following

- 1) Seating/Unseating torque values above included friction bearing torque for stated ΔP .
- 2) Do not apply a safety factor to above torque values when determining actuator output torque requirement.

HOW TO ORDER 如何选购

JTC — **A** — **B** — **C** **D** — **E** — **F**
 Ex: JTC — **C1** — **01** — **Y** **N** — **150** — **F**

| A. SPECIFICATION | B. BODY MAT'L | C. DISC & SHAFT MAT'L | D. STEM MAT'L |
|----------------------|---------------|-----------------------|---------------|
| A1 JIS 10K | 01 FC-20 | A CF8 & 304 | N NBR |
| C1 ANSI 150LB | 02 WCB | C CF8M & 316 | E EPDM |
| D1 DIN PN10 | 03 CF8 | D CF3 & 304L | V VITON |
| D2 DIN PN16 | 04 CF8M | E CF3M & 316L | |
| | 05 CF3 | F CG8M & 317 | |
| | 06 CF3M | H CG3M & 317L | |
| | 07 CG8M | W WCB | |
| | 08 CG3M | Y FCD | |

| E. SIZE | F. END CONNECTION |
|---------------|-------------------|
| 040 1-1/2" | W WAFER |
| 050 2" | L LUG |
| 065 2-1/2" | F FLANGE |
| 080 3" | |
| 100 4" | |
| 125 5" | |
| 150 6" | |
| 200 8" | |
| 250 10" | |
| 300 12" | |
| 350 14" | |
| 400 16" | |
| 450 18" | |
| 500 20" | |
| 600 24" | |
| 700 28" | |
| 750 30" | |
| 800 32" | |
| 900 36" | |

HOW TO ORDER



台湾进典工业股份有限公司

台湾桃园县新屋乡新荣路292巷2-2号

Tel:886-3-4203366 Fax:886-3-4202266 E-mail:webmaster@jdv.com.tw

<http://www.jdv.com.tw>

上海进典控制阀有限公司

上海闵行区浦江高科技园三鲁公路3585号第4幢

Tel:86-21-64296118 Fax:86-21-64297088 E-mail:webmaster@jdv.com.cn

JDV-北京办事处

北京朝阳区建国路93号万达广场4号楼2608室

Tel:86-10-58208918 Fax:86-10-58208918*12 E-mail:eric.wu@jdv.com.cn

JDV-成都办事处

成都市锦江区成都万达广场5单元2202室

Tel:86-28-84191701 Fax:86-28-84191701*602 E-mail:mojianjun@jdv.com.cn

Copyright 2009/12. All rights are reserved by JDV. Technical data and content may be changed by JDV as necessary

